

**Publicly**

**PAS 0001-9-3**

**Available**

**Version: 0.1.1**

**Specification**

**Date: 21 December 1998**

---

Source: TETRAPOL Forum

Work Item No: 0001

**Key word:** TETRAPOL

## **TETRAPOL Specifications;**

### **Part 9: Air Interface Protocol Conformance tests;**

#### **Part 9-3: Test suite structure and test purposes (Applicative Layer)**

## **TETRAPOL FORUM**

### **TETRAPOL Secretariat**

**Postal address:** BP 40 78392 Bois d'Arcy CEDEX - FRANCE

Tel.: +33 1 34 60 55 88 - Fax: +33 1 30 45 28 35

---

**Copyright Notification:** This is an unpublished work. The copyright vests in TETRAPOL Forum. All rights reserved.©

The information contained herein is the property of TETRAPOL Forum and no part may be reproduced or used except as authorised by contract or other written permission. The copyright and the foregoing restriction on reproduction and use extend to all media in which the information may be embodied. Tetrapol Forum reserves the right to bring modifications to this document.



## Contents

Foreword.....	6
2. Scope .....	8
3. Normative references.....	8
4. Definitions, symbols and abbreviations.....	9
4.1 TETRAPOL Definitions.....	9
4.2 ISO 9646 Definitions .....	9
4.3 TETRAPOL Abbreviations.....	9
4.4 ISO 9646 abbreviations .....	9
5. Test Suite Structure (TSS) .....	9
5.1 Applicative layer.....	9
5.1.1 Applicative layer overview TSS .....	9
5.1.2 Introduction to Test Purposes (TPs).....	12
5.1.2.1 Test purpose definition conventions .....	12
5.1.2.2 Test purpose naming conventions .....	12
5.1.3 Applicative layer test groups .....	13
5.2 Test group description .....	16
5.2.1 Basic Interconnection Tests (BIT) .....	16
5.2.2 CApability Tests (CA) .....	16
5.2.3 Valid Behaviour Tests (BV).....	16
5.2.4 Invalid Behaviour Tests (BI).....	16
5.2.5 Timer Expiry and counter mismatch Tests (TI).....	16
6. Test Purposes (TPs).....	17
6.1 Private Call .....	17
6.1.1 Basic Interconnection tests .....	17
6.1.2 Capability tests .....	17
6.1.3 Valid Behaviours tests .....	17
6.1.3.1 Outgoing Call .....	17
6.1.3.2 Incoming Call .....	22
6.1.3.3 Call Withdrawal.....	25
6.1.3.4 Call clearing .....	25
6.1.3.5 Call transfer .....	28
6.1.3.6 Call release.....	29
6.1.3.7 Intrusion in a Private Call .....	31
6.1.4 Timers tests.....	33
6.2 Group Communication .....	35
6.2.1 Basic Interconnection tests .....	35
6.2.2 Capability tests .....	35
6.2.3 Valid Behaviours tests .....	35
6.2.3.1 Open Channel Setup.....	35
6.2.3.2 Group Communication Participation.....	39
6.2.3.3 Group Communication Transmission.....	45
6.2.3.4 Open Channel release.....	52
6.2.4 Timers tests.....	54
6.3 Emergency .....	57
6.3.1 Basic Interconnection tests .....	57
6.3.2 Capability tests .....	57
6.3.3 Valid Behaviours tests .....	57
6.3.3.1 Emergency Signalling .....	57
6.3.3.2 Emergency Open Channel Setup .....	61
6.3.3.3 Emergency Situation Indication and Response.....	63
6.3.3.4 Emergency Participation .....	64

6.3.3.5 Emergency Transmission.....	67
6.3.3.6 Emergency Open Channel release.....	70
6.3.4 Timers tests.....	72
6.4 Data	77
6.4.1 Packet Mode Data Transfer.....	77
6.4.1.1 Basic Interconnection tests.....	77
6.4.1.2 Capability test.....	77
6.4.1.3 Valid Behaviours tests.....	77
6.4.1.3.1 Uplink Packet Mode Data Transfer.....	77
6.4.1.3.2 Downlink Packet Mode Data Transfer.....	80
6.4.1.4 Timers tests.....	81
6.4.2 Short Datagram Message Transmission.....	83
6.4.2.1 Basic Interconnection tests.....	83
6.4.2.2 Capability tests.....	83
6.4.2.3 Valid Behaviours tests.....	83
6.4.2.3.1 Short Datagram Reception.....	83
6.4.2.3.2 Short Datagram Emission.....	83
6.4.3 Broadcast Message Service.....	84
6.4.3.1 Basic Interconnection tests.....	84
6.4.3.2 Capability tests.....	84
6.4.3.3 Valid Behaviours tests.....	84
6.4.3.3.1 Broadcast without Notification Mode.....	84
6.4.3.3.2 Broadcast with Notification Mode.....	84
6.5 Mobility Management.....	85
6.5.1 Basic Interconnection tests.....	85
6.5.2 Capability tests.....	85
6.5.3 Valid Behaviours tests.....	86
6.5.3.1 Registration.....	86
6.5.3.2 Minimum Dialogue.....	89
6.5.3.3 Resynchronisation.....	90
6.5.3.4 Attach-Detach.....	90
6.5.3.5 Address Forwarding.....	91
6.5.3.6 Preliminary Paging.....	93
6.5.3.7 Information Delivery.....	94
6.5.4 Timer Tests.....	95
7. History.....	96

Blank page

## 1. Foreword

This document is the Publicly Available Specification (PAS) of the TETRAPOL land mobile radio system, which shall provide digital narrow band voice, messaging, and data services. Its main objective is to provide specifications dedicated to the more demanding PMR segment: the public safety. These specifications are also applicable to most PMR networks.

This PAS is a multipart document which consists of:

- Part 1      General Network Design
- Part 2      Radio Air interface
- Part 3      Air Interface Protocol
- Part 4      Gateway to X.400 MTA
- Part 5      Dispatch Centre interface
- Part 6      Line Connected Terminal interface
- Part 7      Codec
- Part 8      Radio conformance tests
- Part 9      Air interface protocol conformance tests**
- Part 10     Inter System Interface
- Part 11     Gateway to PABX, ISDN, PDN
- Part 12     Network Management Centre interface
- Part 13     User Data Terminal to System Terminal interface
- Part 14     System Simulator
- Part 15     Gateway to External Data Terminal
- Part 16     Security
- Part 17     Guide to TETRAPOL features
- Part 18     Base station to Radioswitch interface
- Part 19     Stand Alone Dispatch Position interface

Blank page

## 2. Scope

This Publicly Available Specification (PAS) contains the Test Suite Structure (TSS) and Test Purposes (TPs) to test the TETRAPOL Air Interface Application Protocol.

This PAS is applicable to TETRAPOL MSs supporting optional security as specified in PAS 001-16-1. However, the testing of security features is outside the scope of this document.

The objective of this test specification is to provide a basis for approval tests for TETRAPOL equipment giving a high probability of air interface inter-operability between different manufacturer's TETRAPOL equipments.

The testing of supplementary services is, in first phase, limited to Call forwarding and Intrusion in a Private Communication.

The Repeater Mode Services and the Direct Mode Services are outside the scope of this document.

The ISO standard for the methodology of conformance testing, ISO/IEC 9646-1 [8], and ISO/IEC 9646-2 [9], as well as the ETSI methodology for conformance testing, ETS 300 406 [7], are used as the basis for the test methodology.

## 3. Normative references

This PAS incorporates by dated and undated reference, provisions from other publications. These normative references are cited at the appropriate places in the text and the publications are listed hereafter. For dated references, subsequent amendments to or revisions of any of these publications apply to this PAS only when incorporated in it by amendment or revision. For undated references the latest edition of the publication referred to applies.

- [1] PAS 0001-3-1 (Jan 1998): "TETRAPOL Specifications; Air Interface Application Protocol".
- [2] PAS 0001-3-2 (Jan 1998): "TETRAPOL Specifications; Air Interface Applications Messages".
- [3] PAS 0001-3-3 (Jan 1998): "TETRAPOL Specifications; Air Interface Transport Protocol".
- [4] PAS 0001-3-4 (Jan 1998): "TETRAPOL Specifications; Circuit mode Air Interface Protocol".
- [5] PAS 0001-9-2 (Jan 1998): "TETRAPOL Specifications; Conformance tests; Air Interface Protocol Implementation Conformance Statement (PICS) proforma specification".
- [6] PAS 0001-2: "TETRAPOL Specifications; Radio Air Interface".
- [7] ETS 300 406 (April 1995): "Methods for testing and Specification (MTS); Protocol and profile conformance testing specifications; Standardisation methodology".
- [8] ISO/IEC 9646-1 (1994): "Information technology - Open systems interconnection - Conformance testing methodology and framework - Part 1: General concepts".
- [9] ISO/IEC 9646-2 (1995): "Information technology - Open systems interconnection - Conformance testing methodology and framework - Part 2: Abstract Test Suite Specification".



## 4. Definitions, symbols and abbreviations

### 4.1 TETRAPOL Definitions

For the purposes of this PAS, the definitions given in PAS 0001-3-1 [1] apply.

### 4.2 ISO 9646 Definitions

For the purposes of this PAS, the following ISO 9646-1 [8] definitions apply:

Implementation Conformance Statement (ICS)  
Implementation Under Test (IUT)  
Implementation eXtra Information for Testing (IXIT)  
Protocol ICS (PICS)  
Protocol Implementation eXtra Information for Testing (PIXIT)

### 4.3 TETRAPOL Abbreviations

For the purposes of this PAS, the following TETRAPOL abbreviations apply:

CC	Call Control
CCH	Control CHannel
MM	Mobility Management
PABX	Private Automatic Branch eXchange
RT	Radio Terminal
TCH	Traffic CHannel

### 4.4 ISO 9646 abbreviations

For the purposes of this PAS, the following ISO 9646-1 [8] abbreviations apply:

ICS	Implementation Conformance Statement
IUT	Implementation Under Test
IXIT	Implementation eXtra Information for Testing
PDU	Protocol Data Unit
PICS	Protocol Implementation Conformance Statement
PIXIT	Protocol Implementation eXtra Information for Testing
TP	Test Purpose
TSS	Test Suite Structure
TSDU	Transport Service Data Unit

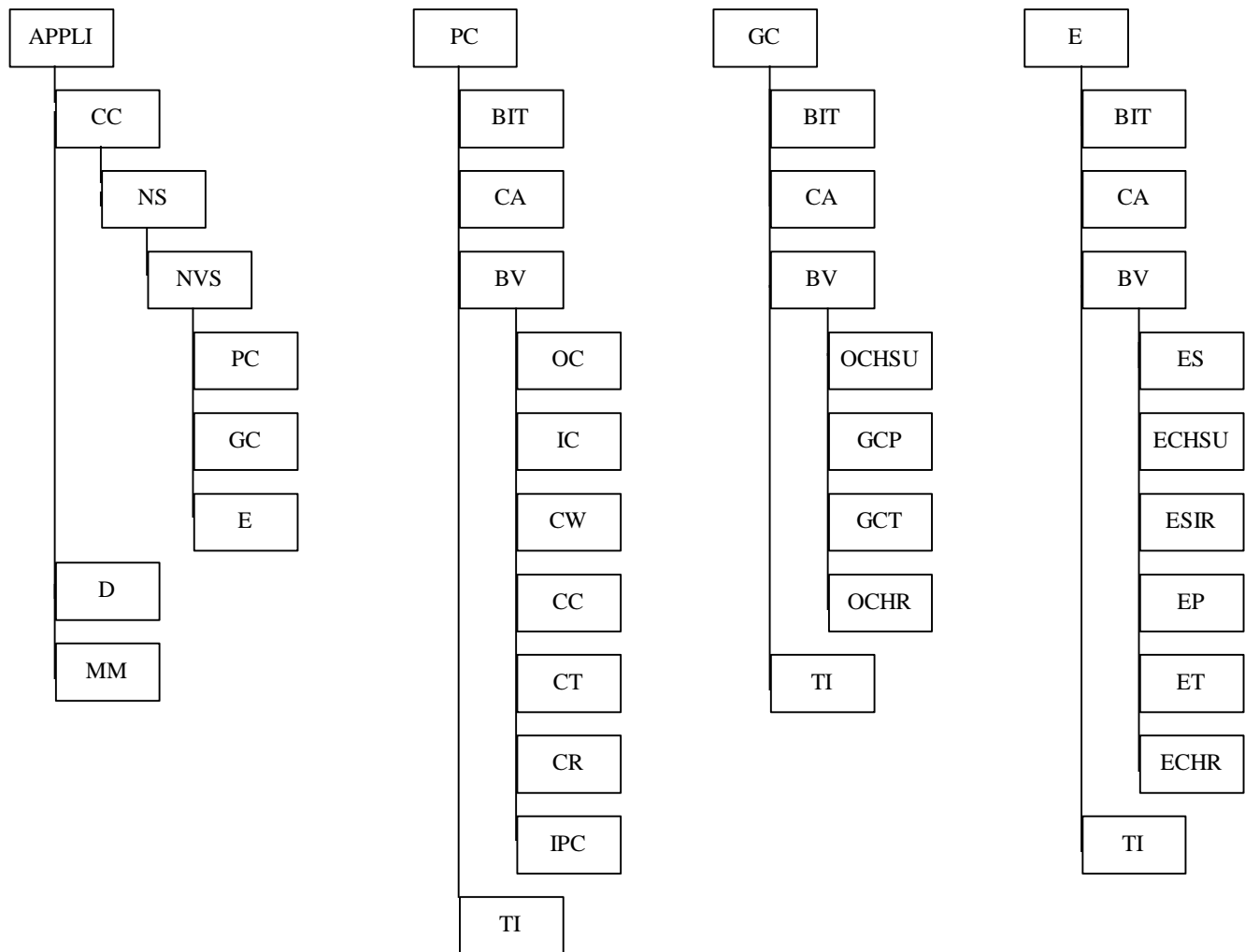
## 5. Test Suite Structure (TSS)

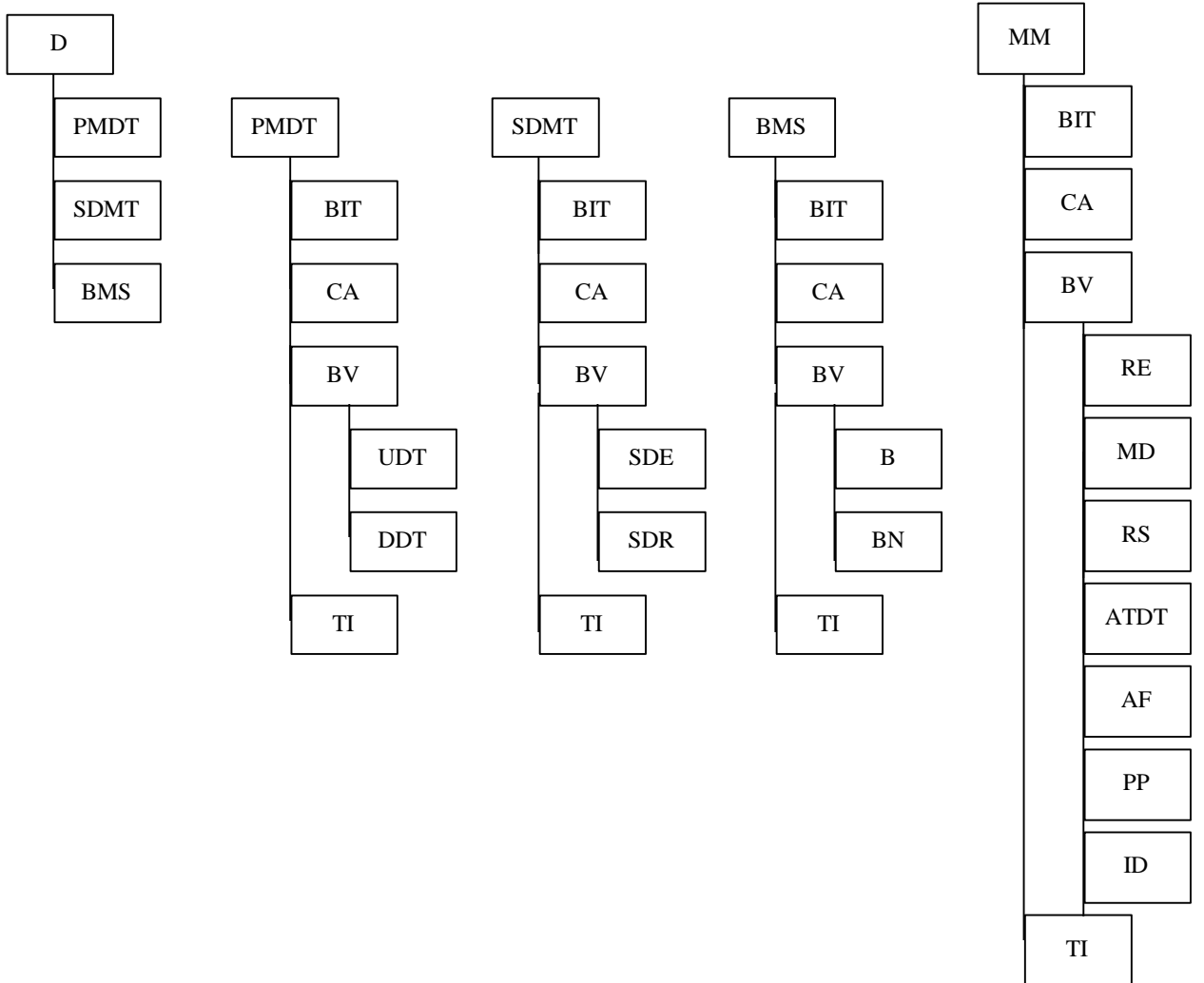
### 5.1 Applicative layer

#### 5.1.1 Applicative layer overview TSS

The Applicative layer test suite, as illustrated in figure 1, is structured as a tree with a first level defined as APPLI representing the whole test suite for TETRAPOL V+D applicative layer protocol.

The tests related to the PICS' items Broadcast, Info Delivery and Paging are dispatched in the different tests groups.





### 5.1.2 Introduction to Test Purposes (TPs)

#### 5.1.2.1 Test purpose definition conventions

The test purposes are defined following particular rules as shown in table 1.

TP Id	Reference Condition Initial state Stimulus Expected behaviour
TP Id:	The TP Id is a unique identifier it shall be specified according to the TP naming conventions defined in the subclause below.
Reference:	The reference should contain the references of the subject to be validated by the actual TP (specification reference, clause, paragraph).
Condition:	The conditions applying to selecting the test purpose.
Initial state:	Defines in which initial state the IUT has to be, in order to apply the TP.
Stimulus:	The Stimulus defines the test event to which the TP is related.
Expected behaviour:	Definition of the events that are expected from the IUT to conform to the base specification.

**Table 1: Test purpose definition rules**

#### 5.1.2.2 Test purpose naming conventions

The identifier of the test purpose is built according to table 2.

TP/<ts>/<fm>/<x>/<s>/<nn>		
<ts> = test suite	APPLI	Applicative Layer
<fm> = functional module or subentity	CC/NS/NVS/PC CC/NS/NVS/GC CC/NS/NVS/E MM D	Call Control/Network connected mode Services/Network Connected Mode Voice Services/Private Call CC/NS/NVS/Group Communication CC/NS/NVS/Emergency Mobility Management Data
x = Type of Testing	BIT CA BV BI TI	Basic Interconnection Tests Capability tests Valid Behaviour Tests Invalid Behaviour tests Time expiry and counter mismatch tests
s = test subgroup (as many subgroup as required)		as defined in the test suite structure
<nn> = sequential number	(01-99)	Test Purpose Number

**Table 2: Test purpose naming convention**

### 5.1.3 Applicative layer test groups

The test groups are organized in several levels. The first level separates the APPLI layer in different protocols. The second level generally separates protocol test in five functional test groups according to the type of testing: Basic Interconnection Tests (BIT), Capability test (CA), Valid Behaviour (BV), Invalid Behaviour (BI), and Timer tests (TI). The purpose of these test groups is explained in subclause 4.2. Exceptionally, the second to fourth levels of the CC protocol create functional modules which are then further on divided into these five functional testgroups, i.e. BIT, CA, BV, BI, and TI. Further levels of the test subgroups are used to form more detailed division of protocol requirements, generally protocol procedures are used for naming the subgroups.

The following list defines the APPLI layer test group names and identifiers used for those:

Call Control (CC):

    Network Connected Mode Services (NS):

        Network Connected Mode Voice Services (NVS):

            Private Call (PC):

                Basic Interconnection Tests (BIT);

                Capability Tests (CA);

                Valid Behaviour tests (BV):

                    Outgoing Call (OC);

                    Incoming Call (IC);

                    Call Withdrawal (CW);

                    Call Clearing (CC);

                    Call Transfer (CT);

                    Call Release (CR);

                    Intrusion in a Private Call (IPC);

                Timer Tests (TI);

            Group Communication (GC):

                Basic Interconnection Tests (BIT);

                Capability Tests (CA);

                Valid Behaviour tests (BV):

                    Open Channel Setup (OCHSU);

                    Group Communication Participation  
(GCP);

                    Group Communication Transmission  
(GCT);

                    Open Channel Release (OCHR);

                Timer Tests (TI);

Emergency (E):

Basic Interconnection Tests (BIT);

Capability Tests (CA);

Valid Behaviour tests (BV):

Emergency Signalling (ES);  
Emergency Open Channel Setup  
(ECHSU);  
Emergency Situation Indication and  
Response (ESIR);  
Emergency Participation (EP);  
Emergency Transmission (ET);  
Emergency Open Channel Release  
(ECHR);

Timer Tests (TI);

Data (D):

Packet Mode Data Transfer (PMDT)

Basic Interconnection Tests (BIT);

Capability Tests (CA);

Valid Behaviour tests (BV):

Uplink Packet Mode Data Transfer  
(UDT);  
Downlink Packet Mode Data Transfer  
(DDT);

Timer Tests (TI);

Short Datagram Message transmission (SDMT)

Basic Interconnection Tests (BIT);

Capability Tests (CA);

Valid Behaviour tests (BV):

Short Datagram Emission (SDE);  
Short Datagram Reception (SDR);

Broadcast Message service (BMS)

Basic Interconnection Tests (BIT);

Capability Tests (CA);

Valid Behaviour tests (BV):

Broadcast without notification mode (B);  
Broadcast with notification mode (BN);

Mobility Management (MM):

Basic Interconnection Tests (BIT):

Capability tests (CA);

Valid Behaviour tests (BV):

- Registration (RE);
- Minimum Dialogue (MD);
- Resynchronisation (RS);
- Attach/Detach (ATDT);
- Address Forwarding (AF);
- Preliminary paging (PP);
- Information Delivery (ID);

Timer Tests (TI)

## 5.2 Test group description

### 5.2.1 Basic Interconnection Tests (BIT)

Basic Interconnection (BIT) Tests provide limited testing of an Implementation Under Test (IUT) in order to establish that there is sufficient conformance for possible interconnection without trying to perform thorough testing. In particular, only those test cases will be executed which will assure the sufficient interconnection between the IUT of the APPLI layer and the test system exists, so that the rest of the test cases can then be put into execution.

### 5.2.2 CApability Tests (CA)

CApability (CA) Tests provide limited testing that the observable capabilities of the IUT are in accordance with the static conformance requirements and the additional capabilities claimed in the PICS/PIXIT. In particular, this test group can be regarded as a set of spot checks for all the capabilities of the IUT stated in the PICS/PIXIT. Scope of the test group is the observable capabilities of the IUT with respect to APPLI layer connection, call control and the mobility management.

### 5.2.3 Valid Behaviour Tests (BV)

The Valid Behaviour (VB) group tests an IUT in response to valid behaviour of the test system. « Valid » means that a test event is syntactically and contextually correct. All tests cases in the valid behaviour group are intended to verify as thoroughly as possible the various functions of the protocol.

### 5.2.4 Invalid Behaviour Tests (BI)

The Invalid Behaviour (BI) group is intended to verify that the IUT is able to react properly in case an invalid protocol data unit (message) occurring. Invalid PDU here means syntactically or semantically invalid test events generated by the test system. A syntactically or semantically invalid test event regardless of the current state is not allowed. Inopportune test cases are also included in this test group. These are intended to verify that the IUT is able to react properly in case an inopportune test event occurring. Such an event is syntactically correct, but occurs when it is not allowed.

### 5.2.5 Timer Expiry and counter mismatch Tests (TI)

Different timers and counters are defined to supervise the various state transitions. This test subgroup is intended to verify that the IUT is reacting properly to an expiry of one of the timers or counters mismatch.



## 6. Test Purposes (TPs)

### 6.1 Private Call

Test group objective : to test the behaviour of the IUT, when operating in private call mode.

Condition : IUT supports private call.

#### 6.1.1 Basic Interconnection tests

- TP/APPLI/CC/NS/NVS/PC/BV/OC-01
- TP/APPLI/CC/NS/NVS/PC/BV/IC-01

#### 6.1.2 Capability tests

- TP/APPLI/CC/NS/NVS/PC/BV/OC-01
- TP/APPLI/CC/NS/NVS/PC/BV/IC-01
- TP/APPLI/CC/NS/NVS/PC/BV/CW-01
- TP/APPLI/CC/NS/NVS/PC/BV/CC-01
- TP/APPLI/CC/NS/NVS/PC/BV/CT-01
- TP/APPLI/CC/NS/NVS/PC/BV/CR-01
- TP/APPLI/CC/NS/NVS/PC/BV/IPC-01

#### 6.1.3 Valid Behaviours tests

Test group objective : to test the valid behaviour of the IUT, when operating in private call mode.

Condition : IUT supports Private Call.

##### 6.1.3.1 Outgoing Call

TP/APPLI/CC/NS/NVS/PC/BV/OC-01	<p><b>Reference:</b> PAS 0001-3-1 [1], subclauses 5.4.4.1  <b>Condition:</b> IUT supports Outgoing Call  <b>Initial state:</b> IUT registered and in IDLE state  <b>Stimulus:</b> Outgoing Call from IDLE state</p> <p>Verify that, when the IUT initiates an Outgoing Call, it sends a U_CALL_SETUP TSDU, accepts a D_ACK TSDU, a D_CALL_ALERT TSDU and a D_CALL_CONNECT TSDU, sends a U_CALL_CONNECT TSDU, finally accepts a D_CALL_START TSDU and enters the CONVERSATION state.</p>
--------------------------------	---

TP/APPLI/CC/NS/NVS/PC/BV/OC-02	<p><b>Reference:</b> PAS 0001-3-1 [1], subclauses 5.4.4.1  <b>Condition:</b> IUT supports Outgoing Call  <b>Initial state:</b> IUT registered and in IDLE state  <b>Stimulus:</b> Outgoing Call from IDLE state with the FLASH priority</p> <p>Verify that, when the IUT initiates an Outgoing Call with the FLASH priority, it sends a U_CALL_SETUP TSDU with the priority field set to « flash », accepts a D_ACK TSDU, a D_CALL_ALERT TSDU and a D_CALL_CONNECT TSDU, sends a U_CALL_CONNECT TSDU, finally accepts a D_CALL_START TSDU and enters the CONVERSATION state.</p>
TP/APPLI/CC/NS/NVS/PC/BV/OC-03	<p><b>Reference:</b> PAS 0001-3-1 [1], subclauses 5.4.4.2  <b>Condition:</b> IUT supports Outgoing Call  <b>Initial state:</b> IUT registered and in IDLE state  <b>Stimulus:</b> Outgoing Call from IDLE state</p> <p>Verify that, after initiating an Outgoing Call, sending a U_CALL_SETUP TSDU and accepting a D_ACK TSDU, when the IUT cancels the Outgoing Call, it sends a U_ABORT TSDU with the cause « cleared by user », receives a D_EMPTY TSDU and enters the IDLE state.</p>
TP/APPLI/CC/NS/NVS/PC/BV/OC-04	<p><b>Reference:</b> PAS 0001-3-1 [1], subclauses 5.4.4.2  <b>Condition:</b> IUT supports Outgoing Call  <b>Initial state:</b> IUT registered and in IDLE state  <b>Stimulus:</b> Outgoing Call from IDLE state</p> <p>Verify that, after initiating an Outgoing Call, sending a U_CALL_SETUP TSDU, accepting a D_ACK TSDU and a D_CALL_ALERT TSDU, when the IUT cancels the Outgoing Call, it sends a U_ABORT TSDU with the cause « cleared by user », receives a D_EMPTY TSDU and enters the IDLE state.</p>

TP/APPLI/CC/NS/NVS/PC/BV/OC-05	<p><b>Reference:</b> PAS 0001-3-1 [1], subclauses 5.4.4.2  <b>Condition:</b> IUT supports Outgoing Call  <b>Initial state:</b> IUT registered and in IDLE state  <b>Stimulus:</b> Outgoing Call from IDLE state</p> <p>Verify that, after initiating an Outgoing Call, sending a U_CALL_SETUP TSDU, accepting a D_ACK TSDU and a D_CALL_CONNECT TSDU and sending a U_CALL_CONNECT TSDU, when the IUT cancels the Outgoing Call, it waits for a D_CALL_START TSDU and then sends a U_TERMINATE TSDU with the cause « cleared by user », receives a D_EMPTY TSDU and enters the IDLE state.</p>
TP/APPLI/CC/NS/NVS/PC/BV/OC-06	<p><b>Reference:</b> PAS 0001-3-1 [1], subclauses 5.4.4.3  <b>Condition:</b> IUT supports Outgoing Call  <b>Initial state:</b> IUT registered and in IDLE state.  <b>Stimulus:</b> Outgoing Call from IDLE state</p> <p>Verify that, after initiating an Outgoing Call, sending a U_CALL_SETUP TSDU and accepting a D_ACK TSDU, when the IUT receives a D_REFUSAL TSDU with the cause « unknow calling party », it sends a U_EMPTY TSDU and enters the IDLE state.</p>
TP/APPLI/CC/NS/NVS/PC/BV/OC-07	<p><b>Reference:</b> PAS 0001-3-1 [1], subclauses 5.4.4.3  <b>Condition:</b> IUT supports Outgoing Call  <b>Initial state:</b> IUT registered and in IDLE state.  <b>Stimulus:</b> Outgoing Call from IDLE state</p> <p>Verify that, after initiating an Outgoing Call, sending a U_CALL_SETUP TSDU and accepting a D_ACK TSDU, when the IUT receives a D_REFUSAL TSDU with the cause « service barred calling party », it sends a U_EMPTY TSDU and enters the IDLE state.</p>

TP/APPLI/CC/NS/NVS/PC/BV/OC-08	<p><b>Reference:</b> PAS 0001-3-1 [1], subclauses 5.4.4.3  <b>Condition:</b> IUT supports Outgoing Call  <b>Initial state:</b> IUT registered and in IDLE state.  <b>Stimulus:</b> Outgoing Call from IDLE state</p> <p>Verify that, after initiating an Outgoing Call and sending a U_CALL_SETUP TSDU, when the IUT receives a D_REFUSAL TSDU with the cause « inconsistent address », it sends a U_EMPTY TSDU and enters the IDLE state.</p>
TP/APPLI/CC/NS/NVS/PC/BV/OC-09	<p><b>Reference:</b> PAS 0001-3-1 [1], subclauses 5.4.4.4  <b>Condition:</b> IUT supports Outgoing Call  <b>Initial state:</b> IUT registered and in IDLE state.  <b>Stimulus:</b> Outgoing Call from IDLE state</p> <p>Verify that, after initiating an Outgoing Call, sending a U_CALL_SETUP TSDU and accepting a D_ACK TSDU, when the IUT receives a D_REJECT TSDU with the cause « unknown called party », it sends a U_EMPTY TSDU and enters the IDLE state.</p>
TP/APPLI/CC/NS/NVS/PC/BV/OC-10	<p><b>Reference:</b> PAS 0001-3-1 [1], subclauses 5.4.4.4  <b>Condition:</b> IUT supports Outgoing Call  <b>Initial state:</b> IUT registered and in IDLE state.  <b>Stimulus:</b> Outgoing Call from IDLE state</p> <p>Verify that, after initiating an Outgoing Call, sending a U_CALL_SETUP TSDU and accepting a D_ACK TSDU, when the IUT receives a D_REJECT TSDU with the cause « service barred called party », it sends a U_EMPTY TSDU and enters the IDLE state.</p>
TP/APPLI/CC/NS/NVS/PC/BV/OC-11	<p><b>Reference:</b> PAS 0001-3-1 [1], subclauses 5.4.4.4  <b>Condition:</b> IUT supports Outgoing Call  <b>Initial state:</b> IUT registered and in IDLE state.  <b>Stimulus:</b> Outgoing Call from IDLE state</p> <p>Verify that, after initiating an Outgoing Call, sending a U_CALL_SETUP TSDU and accepting a D_ACK TSDU, when the IUT receives a D_REJECT TSDU with the cause « lack of resources », it sends a U_EMPTY TSDU and enters the IDLE state.</p>

TP/APPLI/CC/NS/NVS/PC/BV/OC-12	<p><b>Reference:</b> PAS 0001-3-1 [1], subclauses 5.4.4.4  <b>Condition:</b> IUT supports Outgoing Call  <b>Initial state:</b> IUT registered and in IDLE state.  <b>Stimulus:</b> Outgoing Call from IDLE state</p> <p>Verify that, after initiating an Outgoing Call, sending a U_CALL_SETUP TSDU and accepting a D_ACK TSDU, when the IUT receives a D_REJECT TSDU with the cause « called party busy », it sends a U_EMPTY TSDU and enters the IDLE state.</p>
TP/APPLI/CC/NS/NVS/PC/BV/OC-13	<p><b>Reference:</b> PAS 0001-3-1 [1], subclauses 5.4.4.4  <b>Condition:</b> IUT supports Outgoing Call  <b>Initial state:</b> IUT registered and in IDLE state.  <b>Stimulus:</b> Outgoing Call from IDLE state</p> <p>Verify that, after initiating an Outgoing Call, sending a U_CALL_SETUP TSDU and accepting a D_ACK TSDU, when the IUT receives a D_REJECT TSDU with the cause « called party absent », it sends a U_EMPTY TSDU and enters the IDLE state.</p>
TP/APPLI/CC/NS/NVS/PC/BV/OC-14	<p><b>Reference:</b> PAS 0001-3-1 [1], subclauses 5.4.4.4  <b>Condition:</b> IUT supports Outgoing Call  <b>Initial state:</b> IUT registered and in IDLE state.  <b>Stimulus:</b> Outgoing Call from IDLE state</p> <p>Verify that, after initiating an Outgoing Call, sending a U_CALL_SETUP TSDU, accepting a D_ACK TSDU and a D_CALL_ALERT TSDU, when the IUT receives a D_REJECT TSDU with the cause « no reply from called party », it sends a U_EMPTY TSDU and enters the IDLE state.</p>
TP/APPLI/CC/NS/NVS/PC/BV/OC-15	<p><b>Reference:</b> PAS 0001-3-1 [1], subclauses 5.4.4.4  <b>Condition:</b> IUT supports Outgoing Call  <b>Initial state:</b> IUT registered and in IDLE state.  <b>Stimulus:</b> Outgoing Call from IDLE state</p> <p>Verify that, after initiating an Outgoing Call, sending a U_CALL_SETUP TSDU, accepting a D_ACK TSDU and a D_CALL_ALERT TSDU, when the IUT receives a D_REJECT TSDU with the cause « user refusal », it sends a U_EMPTY TSDU and enters the IDLE state.</p>

TP/APPLI/CC/NS/NVS/PC/BV/OC-16	<p><b>Reference:</b> PAS 0001-3-1 [1], subclauses 5.4.4.1  <b>Condition:</b> IUT supports Multi Party Call  <b>Initial state:</b> IUT registered and in IDLE state  <b>Stimulus:</b> Multi Party Call from IDLE state</p> <p>Verify that, when the IUT initiates a multi party Call, it sends a U_CALL_SETUP TSDU, accepts a D_ACK TSDU, a D_CALL_ALERT TSDU and a D_CALL_CONNECT TSDU, sends a U_CALL_CONNECT TSDU, finally accepts a D_CALL_START TSDU and enters the CONVERSATION state.</p>
--------------------------------	---

TP/APPLI/CC/NS/NVS/PC/BV/OC-17	<p><b>Reference:</b> PAS 0001-3-1 [1], subclauses 5.4.4.1  <b>Condition:</b> IUT supports Multi Party Call  <b>Initial state:</b> IUT registered and in IDLE state  <b>Stimulus:</b> Multi Party Call from IDLE state with the FLASH priority</p> <p>Verify that, when the IUT initiates a multi party Call with the FLASH priority, it sends a U_CALL_SETUP TSDU with the priority field set to « flash », accepts a D_ACK TSDU, a D_CALL_ALERT TSDU and a D_CALL_CONNECT TSDU, sends a U_CALL_CONNECT TSDU, finally accepts a D_CALL_START TSDU and enters the CONVERSATION state.</p>
--------------------------------	--

TP/APPLI/CC/NS/NVS/PC/BV/OC-18	<p><b>Reference:</b> PAS 0001-3-1 [1], subclauses 5.4.4.4  <b>Condition:</b> IUT supports Multi Party Call  <b>Initial state:</b> IUT registered and in IDLE state  <b>Stimulus:</b> Multi Party Call from IDLE state with the FLASH priority</p> <p>Verify that, after initiating a multi party Call, sending a U_CALL_SETUP TSDU and accepting a D_ACK TSDU, when the IUT receives a D_REJECT TSDU with the cause « unreachable remote terminal », it sends a U_EMPTY TSDU and enters the IDLE state.</p>
--------------------------------	---

### 6.1.3.2 Incoming Call

TP/APPLI/CC/NS/NVS/PC/BV/IC-01	<p><b>Reference:</b> PAS 0001-3-1 [1], subclauses 5.4.5.1  <b>Condition:</b> IUT supports Incoming Call  <b>Initial state:</b> IUT registered and in IDLE state  <b>Stimulus:</b> Incoming Call from IDLE state</p> <p>Verify that, when the IUT receives an Incoming Call, it accepts a D_CALL_SETUP TSDU, sends a U_ACK TSDU, then the IUT accepts the call, sends a U_CALL_ANSWER TSDU, accepts a D_CALL_CONNECT TSDU, sends a U_CALL_CONNECT TSDU, finally accepts a D_CALL_START TSDU and enters the CONVERSATION state.</p>
--------------------------------	---

TP/APPLI/CC/NS/NVS/PC/BV/IC-02	<p><b>Reference:</b> PAS 0001-3-1 [1], subclauses 5.4.5.1  <b>Condition:</b> IUT supports Incoming Call  <b>Initial state:</b> IUT registered and in IDLE state  <b>Stimulus:</b> Incoming Call from IDLE state with the FLASH priority</p> <p>Verify that, when the IUT receives an Incoming Call with the FLASH priority, it accepts a D_CALL_SETUP TSDU with the priority field set to « flash », sends a U_ACK TSDU, then the IUT accepts the call, sends a U_CALL_ANSWER TSDU, accepts a D_CALL_CONNECT TSDU, sends a U_CALL_CONNECT TSDU, finally accepts a D_CALL_START TSDU and enters the CONVERSATION state.</p>
TP/APPLI/CC/NS/NVS/PC/BV/IC-03	<p><b>Reference:</b> PAS 0001-3-1 [1], subclauses 5.4.5.2  <b>Condition:</b> IUT supports Incoming Call  <b>Initial state:</b> IUT in CONVERSATION state  <b>Stimulus:</b> Incoming call in CONVERSATION state</p> <p>Verify that, when the IUT receives an Incoming Call in the CONVERSATION state, it accepts a D_RETURN TSDU and a D_CALL_SWITCH TSDU with the priority field set to « flash », sends a U_CALL_SWITCH TSDU, finally accepts a D_CALL_START TSDU and reenters the CONVERSATION state.</p>
TP/APPLI/CC/NS/NVS/PC/BV/IC-04	<p><b>Reference:</b> PAS 0001-3-1 [1], subclauses 5.4.5.3  <b>Condition:</b> IUT supports Incoming Call  <b>Initial state:</b> IUT registered and in IDLE state  <b>Stimulus:</b> Incoming Call from IDLE state</p> <p>Verify that, after receiving an Incoming Call, accepting a D_CALL_SETUP TSDU and sending a U_ACK TSDU, when the IUT receives a D_REJECT TSDU with the cause « cleared by user », it sends a U_EMPTY TSDU and enters the IDLE state.</p>

TP/APPLI/CC/NS/NVS/PC/BV/IC-05	<p><b>Reference:</b> PAS 0001-3-1 [1], subclauses 5.4.5.3  <b>Condition:</b> IUT supports Incoming Call  <b>Initial state:</b> IUT registered and in IDLE state  <b>Stimulus:</b> Incoming Call from IDLE state</p> <p>Verify that, after receiving an Incoming Call, accepting a D_CALL_SETUP TSDU and sending a U_ACK TSDU, when the IUT receives a D_REJECT TSDU with the cause « unreachable remote terminal », it sends a U_EMPTY TSDU and enters the IDLE state.</p>
TP/APPLI/CC/NS/NVS/PC/BV/IC-06	<p><b>Reference:</b> PAS 0001-3-1 [1], subclauses 5.4.5.3  <b>Condition:</b> IUT supports Incoming Call  <b>Initial state:</b> IUT registered and in IDLE state  <b>Stimulus:</b> Incoming Call from IDLE state</p> <p>Verify that, after receiving an Incoming Call, accepting a D_CALL_SETUP TSDU and sending a U_ACK TSDU, when the IUT receives a D_REJECT TSDU with the cause « no reply from called party », it sends a U_EMPTY TSDU and enters the IDLE state.</p>
TP/APPLI/CC/NS/NVS/PC/BV/IC-07	<p><b>Reference:</b> PAS 0001-3-1 [1], subclauses 5.4.5.3  <b>Condition:</b> IUT supports Incoming Call  <b>Initial state:</b> IUT registered and in IDLE state  <b>Stimulus:</b> Incoming Call from IDLE state</p> <p>Verify that, after receiving an Incoming Call, accepting a D_CALL_SETUP TSDU and sending a U_ACK TSDU, when the IUT receives a D_REJECT TSDU with the cause « end of ringing », it sends a U_EMPTY TSDU and enters the IDLE state.</p>
TP/APPLI/CC/NS/NVS/PC/BV/IC-08	<p><b>Reference:</b> PAS 0001-3-1 [1], subclauses 5.4.5.4  <b>Condition:</b> IUT supports Incoming Call  <b>Initial state:</b> IUT registered and in IDLE state  <b>Stimulus:</b> Incoming Call from IDLE state</p> <p>Verify that, after initiating an Incoming Call, accepting a D_CALL_SETUP TSDU and sending a U_ACK TSDU, when the user refuses the incoming call, the IUT sends a U_ABORT TSDU with the cause « cleared by user », accepts a D_EMPTY TSDU and enters the IDLE state.</p>



TP/APPLI/CC/NS/NVS/PC/BV/IC-09	<p><b>Reference:</b> PAS 0001-3-1 [1], subclauses 5.4.5.4  <b>Condition:</b> IUT supports Incoming Call  <b>Initial state:</b> IUT registered and in IDLE state  <b>Stimulus:</b> Incoming Call from IDLE state</p> <p>Verify that, after initiating an Incoming Call, accepting a D_CALL_SETUP TSDU and sending a U_ACK TSDU, if the user accepts the incoming call with a U_CALL_ANSWER TSDU, and then refuses the call, the IUT sends a U_ABORT TSDU with the cause « cleared by user », accepts a D_EMPTY TSDU and enters the IDLE state.</p>
--------------------------------	---

### 6.1.3.3 Call Withdrawal

TP/APPLI/CC/NS/NVS/PC/BV/CW-01	<p><b>Reference:</b> PAS 0001-3-1 [1], subclauses 5.4.6  <b>Condition:</b> IUT supports Call Withdrawal  <b>Initial state:</b> IUT registered and in CONVERSATION state  <b>Stimulus:</b> Call Withdrawal from CONVERSATION state</p> <p>Verify that, when the user quits the set-up call, the IUT sends a U_TERMINATE TSDU with the cause « normal », accepts a D_EMPTY TSDU and finally enters the IDLE state.</p>
--------------------------------	--

TP/APPLI/CC/NS/NVS/PC/BV/CW-02	<p><b>Reference:</b> PAS 0001-3-1 [1], subclauses 5.4.6  <b>Condition:</b> IUT supports Call Withdrawal  <b>Initial state:</b> IUT registered and in CONVERSATION state in a Private Call with the FLASH priority  <b>Stimulus:</b> Call Withdrawal from CONVERSATION state</p> <p>Verify that, when the user quits the set-up call, the IUT sends a U_TERMINATE TSDU with the priority field set to « flash » and with the cause « normal », accepts a D_EMPTY TSDU and finally enters the IDLE state.</p>
--------------------------------	---

### 6.1.3.4 Call clearing

TP/APPLI/CC/NS/NVS/PC/BV/CC-01	<p><b>Reference:</b> PAS 0001-3-1 [1], subclauses 5.4.7  <b>Condition:</b> IUT supports Call Clearing  <b>Initial state:</b> IUT registered and in CONVERSATION state  <b>Stimulus:</b> Call Clearing from CONVERSATION state</p> <p>Verify that, when the IUT receives a D_RELEASE TSDU with the cause « normal », it sends a U_ACK TSDU, finally accepts a D_EMPTY TSDU and enters the IDLE state.</p>
--------------------------------	--

TP/APPLI/CC/NS/NVS/PC/BV/CC-02	<p><b>Reference:</b> PAS 0001-3-1 [1], subclauses 5.4.7  <b>Condition:</b> IUT supports Call Clearing  <b>Initial state:</b> IUT registered and in CONVERSATION state  <b>Stimulus:</b> Call Clearing from CONVERSATION state</p> <p>Verify that, when the IUT receives a D_RELEASE TSDU with the priority field set to « flash » and with the cause « operator decision », it sends a U_ACK TSDU, finally accepts a D_EMPTY TSDU and enters the IDLE state.</p>
TP/APPLI/CC/NS/NVS/PC/BV/CC-03	<p><b>Reference:</b> PAS 0001-3-1 [1], subclauses 5.4.7  <b>Condition:</b> IUT supports Call Clearing  <b>Initial state:</b> IUT registered and in CONVERSATION state  <b>Stimulus:</b> Call Clearing from CONVERSATION state</p> <p>Verify that, when the IUT receives a D_RELEASE TSDU with the cause « terminal pre-emption », it sends a U_ACK TSDU, finally accepts a D_EMPTY TSDU and enters the IDLE state.</p>
TP/APPLI/CC/NS/NVS/PC/BV/CC-04	<p><b>Reference:</b> PAS 0001-3-1 [1], subclauses 5.4.7  <b>Condition:</b> IUT supports Call Clearing  <b>Initial state:</b> IUT registered and in CONVERSATION state  <b>Stimulus:</b> Call Clearing from CONVERSATION state</p> <p>Verify that, when the IUT receives a D_RELEASE TSDU with the cause « resource pre-emption », it sends a U_ACK TSDU, finally accepts a D_EMPTY TSDU and enters the IDLE state.</p>
TP/APPLI/CC/NS/NVS/PC/BV/CC-05	<p><b>Reference:</b> PAS 0001-3-1 [1], subclauses 5.4.7  <b>Condition:</b> IUT supports Call Clearing  <b>Initial state:</b> IUT registered and in CONVERSATION state  <b>Stimulus:</b> Call Clearing from CONVERSATION state</p> <p>Verify that, when the IUT receives a D_RELEASE TSDU with the cause « voice inactivity », it sends a U_ACK TSDU, finally accepts a D_EMPTY TSDU and enters the IDLE state.</p>

TP/APPLI/CC/NS/NVS/PC/BV/CC-06	<p><b>Reference:</b> PAS 0001-3-1 [1], subclauses 5.4.7  <b>Condition:</b> IUT supports Call Clearing  <b>Initial state:</b> IUT registered and in CONVERSATION state  <b>Stimulus:</b> Call Clearing from CONVERSATION state</p> <p>Verify that, when the IUT receives a D_RELEASE TSDU with the cause « unreachable remote terminal », it sends a U_ACK TSDU, finally accepts a D_EMPTY TSDU and enters the IDLE state.</p>
TP/APPLI/CC/NS/NVS/PC/BV/CC-07	<p><b>Reference:</b> PAS 0001-3-1 [1], subclauses 5.4.7  <b>Condition:</b> IUT supports Call Clearing  <b>Initial state:</b> IUT registered and in IDLE state  <b>Stimulus:</b> Call Clearing from IDLE state</p> <p>Verify that, when the IUT initiates an Outgoing Call, it sends a U_CALL_SETUP TSDU with a call priority field set to « routine » and an option priority field set to « userpriority », accepts a D_ACK TSDU, a D_CALL_ALERT TSDU and a D_CALL_CONNECT TSDU, sends a U_CALL_CONNECT TSDU, finally accepts a D_CALL_START TSDU. When the IUT receives a D_RELEASE TSDU with the cause « normal », it sends a U_ACK TSDU, finally accepts a D_EMPTY TSDU and enters the IDLE state.</p>
TP/APPLI/CC/NS/NVS/PC/BV/CC-08	<p><b>Reference:</b> PAS 0001-3-1 [1], subclauses 5.4.7  <b>Condition:</b> IUT supports Call Clearing  <b>Initial state:</b> IUT registered and in IDLE state  <b>Stimulus:</b> Call Clearing from IDLE state</p> <p>Verify that, when the IUT initiates an Outgoing Call, it sends a U_CALL_SETUP TSDU with a call priority field set to « routine » and a hook field set to « ring », accepts a D_ACK TSDU, a D_CALL_ALERT TSDU and a D_CALL_CONNECT TSDU, sends a U_CALL_CONNECT TSDU, finally accepts a D_CALL_START TSDU. When the IUT receives a D_RELEASE TSDU with the cause « normal », it sends a U_ACK TSDU, finally accepts a D_EMPTY TSDU and enters the IDLE state.</p>

TP/APPLI/CC/NS/NVS/PC/BV/CC-09	<p><b>Reference:</b> PAS 0001-3-1 [1], subclauses 5.4.7  <b>Condition:</b> IUT supports Call Clearing  <b>Initial state:</b> IUT registered and in IDLE state  <b>Stimulus:</b> Call Clearing from IDLE state</p> <p>Verify that, when the IUT initiates an Outgoing Call, it sends a U_CALL_SETUP TSDU with a call priority field set to « routine » and a hook field set to « automaticWithTonenotification », accepts a D_ACK TSDU, a D_CALL_ALERT TSDU and a D_CALL_CONNECT TSDU, sends a U_CALL_CONNECT TSDU, finally accepts a D_CALL_START TSDU. When the IUT receives a D_RELEASE TSDU with the cause « normal », it sends a U_ACK TSDU, finally accepts a D_EMPTY TSDU and enters the IDLE state.</p>
--------------------------------	--

### 6.1.3.5 Call transfer

TP/APPLI/CC/NS/NVS/PC/BV/CT-01	<p><b>Reference:</b> PAS 0001-3-1 [1], subclauses 5.4.8.1  <b>Condition:</b> IUT supports Call Transfer  <b>Initial state:</b> IUT registered and in CONVERSATION state  <b>Stimulus:</b> Call Transfer from CONVERSATION state</p> <p>Verify that, when the IUT initiates a transfer request, it sends a U_TRANSFER_REQ TSDU, accepts a D_END TSDU, finally sends a U_EMPTY TSDU and enters the IDLE state.</p>
--------------------------------	--

TP/APPLI/CC/NS/NVS/PC/BV/CT-02	<p><b>Reference:</b> PAS 0001-3-1 [1], subclauses 5.4.8.1  <b>Condition:</b> IUT supports Call Transfer  <b>Initial state:</b> IUT registered and in CONVERSATION state  <b>Stimulus:</b> Call Transfer from CONVERSATION state</p> <p>Verify that, when the IUT initiates a transfer request with the « flash » priority, it sends a U_TRANSFER_REQ TSDU, accepts a D_END TSDU, finally sends a U_EMPTY TSDU and enters the IDLE state.</p>
--------------------------------	--

TP/APPLI/CC/NS/NVS/PC/BV/CT-03	<p><b>Reference:</b> PAS 0001-3-1 [1], subclauses 5.4.8.1  <b>Condition:</b> IUT supports Call Transfer  <b>Initial state:</b> IUT registered and in CONVERSATION state  <b>Stimulus:</b> Call Transfer from CONVERSATION state</p> <p>Verify that, when the IUT initiates a transfer request, it sends a U_TRANSFER_REQ TSDU, accepts a D_RELEASE TSDU with the cause « transfer failure », sends a U_ACK TSDU and, finally accepts a D_EMPTY TSDU enters the IDLE state.</p>
--------------------------------	--

TP/APPLI/CC/NS/NVS/PC/BV/CT-04	<p><b>Reference:</b> PAS 0001-3-1 [1], subclauses 5.4.8.2  <b>Condition:</b> IUT supports Call Transfer  <b>Initial state:</b> IUT registered and in CONVERSATION state  <b>Stimulus:</b> Call Transfer from CONVERSATION state</p> <p>Verify that, after initiating a transfer request, sending a U_TRANSFER_REQ TSDU, when the IUT receives a D_TRANSFER_NAK TSDU with the cause « inconsistent address », it sends a U_EMPTY TSDU, accepts a D_CALL_SWITCH TSDU, sends a U_CALL_SWITCH TSDU, finally accepts a D_CALL_START TSDU and reenters the CONVERSATION state.</p>
--------------------------------	--

TP/APPLI/CC/NS/NVS/PC/BV/CT-05	<p><b>Reference:</b> PAS 0001-3-1 [1], subclauses 5.4.8.2  <b>Condition:</b> IUT supports Call Transfer  <b>Initial state:</b> IUT registered and in CONVERSATION state  <b>Stimulus:</b> Call Transfer from CONVERSATION state</p> <p>Verify that, after initiating a transfer request, sending a U_TRANSFER_REQ TSDU, when the IUT receives a D_TRANSFER_NAK TSDU with the cause « service barred called party », it sends a U_EMPTY TSDU, accepts a D_CALL_SWITCH TSDU, sends a U_CALL_SWITCH TSDU, finally accepts a D_CALL_START TSDU and reenters the CONVERSATION state.</p>
--------------------------------	---

### 6.1.3.6 Call release

TP/APPLI/CC/NS/NVS/PC/BV/CR-01	<p><b>Reference:</b> PAS 0001-3-1 [1], subclauses 5.4.9.1  <b>Condition:</b> IUT supports Call Release  <b>Initial state:</b> IUT registered and in IDLE state  <b>Stimulus:</b> Call Release from IDLE state</p> <p>Verify that, when the IUT initiates a Call release, it sends a U_CALL_RELEASE TSDU, accepts a D_ACK TSDU and a D_AUTHENTICATION TSDU, sends a U_AUTHENTICATION TSDU, accepts a D_AUTHORISATION TSDU, finally sends a U_EMPTY TSDU and enters the IDLE state.</p>
--------------------------------	---

TP/APPLI/CC/NS/NVS/PC/BV/CR-02	<p><b>Reference:</b> PAS 0001-3-1 [1], subclauses 5.4.9.2  <b>Condition:</b> IUT supports Call Release  <b>Initial state:</b> IUT registered and in IDLE state  <b>Stimulus:</b> Call Release from IDLE state</p> <p>Verify that, after initiating a Call release, sending a U_CALL_RELEASE TSDU and accepting a D_ACK TSDU, when the user cancels the release, the IUT sends a U_ABORT TSDU with the cause « cleared by user », receives a D_EMPTY TSDU and enters the IDLE state.</p>
--------------------------------	---

TP/APPLI/CC/NS/NVS/PC/BV/CR-03	<p><b>Reference:</b> PAS 0001-3-1 [1], subclauses 5.4.9.3  <b>Condition:</b> IUT supports Call Release  <b>Initial state:</b> IUT registered and in IDLE state  <b>Stimulus:</b> Call Release from IDLE state</p> <p>Verify that, after initiating a Call release, sending a U_CALL_RELEASE TSDU and accepting a D_ACK TSDU, when the IUT receives a D_REFUSAL TSDU with the cause « service barred calling party », it sends a U_EMPTY TSDU and enters the IDLE state.</p>
TP/APPLI/CC/NS/NVS/PC/BV/CR-04	<p><b>Reference:</b> PAS 0001-3-1 [1], subclauses 5.4.9.3  <b>Condition:</b> IUT supports Call Release  <b>Initial state:</b> IUT registered and in IDLE state  <b>Stimulus:</b> Call Release from IDLE state</p> <p>Verify that, after initiating a Call release and sending a U_CALL_RELEASE TSDU, when the IUT receives a D_REFUSAL TSDU with the cause « unknown calling party », it sends a U_EMPTY TSDU and enters the IDLE state.</p>
TP/APPLI/CC/NS/NVS/PC/BV/CR-05	<p><b>Reference:</b> PAS 0001-3-1 [1], subclauses 5.4.9.3  <b>Condition:</b> IUT supports Call Release  <b>Initial state:</b> IUT registered and in IDLE state  <b>Stimulus:</b> Call Release from IDLE state</p> <p>Verify that, after initiating a Call release, sending a U_CALL_RELEASE TSDU and accepting a D_ACK TSDU, when the IUT receives a D_REFUSAL TSDU with the cause « identification error », it sends a U_EMPTY TSDU and enters the IDLE state.</p>
TP/APPLI/CC/NS/NVS/PC/BV/CR-06	<p><b>Reference:</b> PAS 0001-3-1 [1], subclauses 5.4.9.3  <b>Condition:</b> IUT supports Call Release  <b>Initial state:</b> IUT registered and in IDLE state  <b>Stimulus:</b> Call Release from IDLE state</p> <p>Verify that, after initiating a Call release, sending a U_CALL_RELEASE TSDU and accepting a D_ACK TSDU, when the IUT receives a D_REJECT TSDU with the cause « network event », it sends a U_EMPTY TSDU and enters the IDLE state.</p>

TP/APPLI/CC/NS/NVS/PC/BV/CR-07	<p><b>Reference:</b> PAS 0001-3-1 [1], subclauses 5.4.9.3  <b>Condition:</b> IUT supports Call Release  <b>Initial state:</b> IUT registered and in IDLE state  <b>Stimulus:</b> Call Release from IDLE state</p> <p>Verify that, after initiating a Call release, sending a U_CALL_RELEASE TSDU with the « flash » priority, and accepts a D_ACK TSDU and a D_AUTHENTICATION TSDU, sends a U_AUTHENTICATION TSDU, accepts a D_AUTHORISATION TSDU, finally send a U_EMPTY TSDU and enters the IDLE state.</p>
--------------------------------	---

### 6.1.3.7 Intrusion in a Private Call

TP/APPLI/CC/NS/NVS/PC/BV/IPC-01	<p><b>Reference:</b> PAS 0001-3-1 [1], subclauses 5.4.11.1  <b>Condition:</b> IUT supports Private Call Intrusion  <b>Initial state:</b> IUT registered and in IDLE state  <b>Stimulus:</b> Private Call Intrusion from IDLE state</p> <p>Verify that, when the IUT initiates a Private Call intrusion, it sends a U_CALL_INTRUSION_PC TSDU, accepts a D_ACK TSDU and a D_CALL_CONNECT TSDU, sends a U_CALL_CONNECT TSDU, finally accepts a D_CALL_START TSDU, and enters the CONVERSATION state.</p>
---------------------------------	---

TP/APPLI/CC/NS/NVS/PC/BV/IPC-02	<p><b>Reference:</b> PAS 0001-3-1 [1], subclauses 5.4.11.2  <b>Condition:</b> IUT supports Private Call Intrusion  <b>Initial state:</b> IUT registered and in IDLE state  <b>Stimulus:</b> Private Call Intrusion from IDLE state</p> <p>Verify that, after initiating a Private Call intrusion, sending a U_CALL_INTRUSION_PC TSDU, accepting a D_ACK TSDU, when the IUT cancels the intrusion, it sends a U_TERMINATE TSDU with the cause « cleared by user », receives a D_EMPTY TSDU and enters the IDLE state</p>
---------------------------------	---

TP/APPLI/CC/NS/NVS/PC/BV/IPC-03	<p><b>Reference:</b> PAS 0001-3-1 [1], subclauses 5.4.11.2  <b>Condition:</b> IUT supports Private Call Intrusion  <b>Initial state:</b> IUT registered and in IDLE state  <b>Stimulus:</b> Private Call Intrusion from IDLE state</p> <p>Verify that, after initiating a Private Call intrusion, sending a U_CALL_INTRUSION_PC TSDU, accepting a D_ACK TSDU and a D_CALL_CONNECT TSDU and sending a U_CALL_CONNECT TSDU, when the IUT cancels the intrusion, it waits for a D_CALL_START TSDU and then it sends a U_TERMINATE TSDU with the cause « normal », receives a D_EMPTY TSDU and enters the IDLE state</p>
TP/APPLI/CC/NS/NVS/PC/BV/IPC-04	<p><b>Reference:</b> PAS 0001-3-1 [1], subclauses 5.4.11.3  <b>Condition:</b> IUT supports Private Call Intrusion  <b>Initial state:</b> IUT registered and in IDLE state  <b>Stimulus:</b> Private Call Intrusion from IDLE state</p> <p>Verify that, after initiating a Private Call intrusion, sending a U_CALL_INTRUSION_PC TSDU and accepting a D_ACK TSDU, when the IUT receives a D_REFUSAL TSDU with the cause « calling party service barred », it sends a U_EMPTY TSDU and enters the IDLE state.</p>
TP/APPLI/CC/NS/NVS/PC/BV/IPC-05	<p><b>Reference:</b> PAS 0001-3-1 [1], subclauses 5.4.11.3  <b>Condition:</b> IUT supports Private Call Intrusion  <b>Initial state:</b> IUT registered and in IDLE state  <b>Stimulus:</b> Private Call Intrusion from IDLE state</p> <p>Verify that, after initiating a Private Call intrusion and sending a U_CALL_INTRUSION_PC TSDU, when the IUT receives a D_REFUSAL TSDU with the cause « unknown calling user », it sends a U_EMPTY TSDU and enters the IDLE state.</p>
TP/APPLI/CC/NS/NVS/PC/BV/ IPC-06	<p><b>Reference:</b> PAS 0001-3-1 [1], subclauses 5.4.11.3  <b>Condition:</b> IUT supports Private Call Intrusion  <b>Initial state:</b> IUT registered and in IDLE state  <b>Stimulus:</b> Private Call Intrusion from IDLE state</p> <p>Verify that, after initiating a Private Call intrusion, sending a U_CALL_INTRUSION_PC TSDU and accepting a D_ACK TSDU, when the IUT receives a D_REJECT TSDU with the cause « lack of resources », it sends a U_EMPTY TSDU and enters the IDLE state.</p>



## 6.1.4 Timers tests

TP/APPLI/CC/NS/NVS/PC/TI-01	<p><b>Reference:</b> PAS 0001-3-1 [1], subclauses 5.4.4  <b>Condition:</b> IUT supports Outgoing Call  <b>Initial state:</b> IUT registered and in IDLE state  <b>Stimulus:</b> Outgoing Call from IDLE state</p> <p>Verify that, after initiating an Outgoing Call, sending a U_CALL_SETUP TSDU and accepting a D_ACK TSDU, the IUT sets a timer T712. When T712 expires, the IUT sends a U_ABORT TSDU with the cause « application event », receives a D_EMPTY TSDU and enters the IDLE state.</p>
TP/APPLI/CC/NS/NVS/PC/TI-02	<p><b>Reference:</b> PAS 0001-3-1 [1], subclauses 5.4.5  <b>Condition:</b> IUT supports Incoming Call  <b>Initial state:</b> IUT registered and in IDLE state  <b>Stimulus:</b> Incoming Call from IDLE state</p> <p>Verify that, after receiving an Incoming Call, accepting a D_CALL_SETUP TSDU with the Hook_mode « RING » and sending a U_ACK TSDU, the IUT sets a timer T710. When T710 expires, the IUT sends a U_ABORT TSDU with the cause « application event », receives a D_EMPTY TSDU and enters the IDLE state</p>
TP/APPLI/CC/NS/NVS/PC/TI-03	<p><b>Reference:</b> PAS 0001-3-1 [1], subclauses 5.4.5  <b>Condition:</b> IUT supports Incoming Call  <b>Initial state:</b> IUT registered and in IDLE state  <b>Stimulus:</b> Incoming Call from IDLE state</p> <p>Verify that, after receiving an Incoming Call, accepting a D_CALL_SETUP TSDU with the Hook_mode « AUTOMATIC » and sending a U_ACK TSDU, the IUT accepts the call, sends a U_CALL_ANSWER TSDU and sets a timer T711. When T711 expires, the IUT sends a U_ABORT TSDU with the cause « application event », receives a D_EMPTY TSDU and enters the IDLE state</p>
TP/APPLI/CC/NS/NVS/PC/TI-04	<p><b>Reference:</b> PAS 0001-3-1 [1], subclauses 5.4.9  <b>Condition:</b> IUT supports Call Release  <b>Initial state:</b> IUT registered and in IDLE state  <b>Stimulus:</b> Call Release from IDLE state</p> <p>Verify that, after initiating a Call Release, sending a U_CALL_RELEASE TSDU and accepting a D_ACK TSDU, the IUT sets a timer T717. When T717 expires, the IUT sends a U_ABORT TSDU with the cause « application event », receives a D_EMPTY TSDU and enters the IDLE state.</p>

TP/APPLI/CC/NS/NVS/PC/TI-05	<p><b>Reference:</b> PAS 0001-3-1 [1], subclauses 5.4.9</p> <p><b>Condition:</b> IUT supports Call Release</p> <p><b>Initial state:</b> IUT registered and in IDLE state</p> <p><b>Stimulus:</b> Call Release from IDLE state</p> <p>Verify that, after initiating a Call Release, sending a U_CALL_RELEASE TSDU, accepting a D_ACK TSDU and a D_AUTHENTICATION TSDU and sending a U_AUTHENTICATION TSDU, the IUT sets a timer T718. When T718 expires, the IUT sends a U_ABORT TSDU with the cause « application event », receives a D_EMPTY TSDU and enters the IDLE state.</p>
TP/APPLI/CC/NS/NVS/PC/TI-06	<p><b>Reference:</b> PAS 0001-3-1 [1], subclauses 5.4.11, 5.4.12</p> <p><b>Condition:</b> IUT supports Private Call Intrusion</p> <p><b>Initial state:</b> IUT registered and in IDLE state</p> <p><b>Stimulus:</b> Private Call Intrusion from IDLE state</p> <p>Verify that, after initiating a Private Call intrusion, sending a U_CALL_INTRUSION_PC TSDU, accepting a D_ACK TSDU, the IUT sets a timer TT14. When T714 expires, the IUT sends U_ABORT TSDU with the cause « application event », receives a D_EMPTY TSDU and enters the IDLE state.</p>

## 6.2 Group Communication

Test group objective : to test the behaviour of the IUT, when operating in group communication mode.

Condition : IUT supports group communication.

### 6.2.1 Basic Interconnection tests

- TP/APPLI/CC/NS/NVS/GC/BV/GCP-01 & 02 & 03

### 6.2.2 Capability tests

- TP/APPLI/CC/NS/NVS/GC/BV/OCHSU-01 & 02 & 03
- TP/APPLI/CC/NS/NVS/GC/BV/GCP-01 & 02
- TP/APPLI/CC/NS/NVS/GC/BV/GCT-01 & 02 & 03
- TP/APPLI/CC/NS/NVS/GC/BV/OCHR-01 & 02 & 03

### 6.2.3 Valid Behaviours tests

Test group objective : to test the valid behaviour of the IUT, when operating in group communication mode.

Condition : IUT supports group communications.

#### 6.2.3.1 Open Channel Setup

TP/APPLI/CC/NS/NVS/GC/BV/OCHSU-01	<p><b>Reference:</b> PAS 0001-3-1 [1], subclauses 5.5.2.1  <b>Condition:</b> IUT supports routine Open-Channel Setup  <b>Initial state:</b> IUT registered and in IDLE state  <b>Stimulus:</b> Open-Channel Setup from IDLE state</p> <p>Verify that, when the IUT initiates an Open Channel setup with the « routine » priority, it sends a U_OCH_SETUP TSDU, accepts a D_ACK TSDU and a D_AUTHENTICATION TSDU, sends a U_AUTHENTICATION TSDU, accepts a D_AUTHORISATION TSDU, finally sends a U_EMPTY TSDU and enters the IDLE state.</p>
-----------------------------------	---

TP/APPLI/CC/NS/NVS/GC/BV/OCHSU-02	<p><b>Reference:</b> PAS 0001-3-1 [1], subclauses 5.5.2.1  <b>Condition:</b> IUT supports broadcast Open-Channel Setup  <b>Initial state:</b> IUT registered and in IDLE state  <b>Stimulus:</b> Open-Channel Setup from IDLE state</p> <p>Verify that, when the IUT initiates an Open Channel setup with the « broadcast » priority, it sends a U_OCH_SETUP TSDU, accepts a D_ACK TSDU and a D_AUTHENTICATION TSDU, sends a U_AUTHENTICATION TSDU, accepts a D_AUTHORISATION TSDU, finally sends a U_EMPTY TSDU and enters the IDLE state.</p>
-----------------------------------	---

TP/APPLI/CC/NS/NVS/GC/BV/OCHSU-03	<p><b>Reference:</b> PAS 0001-3-1 [1], subclauses 5.5.2.1  <b>Condition:</b> IUT supports crisis Open-Channel Setup  <b>Initial state:</b> IUT registered and in IDLE state  <b>Stimulus:</b> Open-Channel Setup from IDLE state</p> <p>Verify that, when the IUT initiates an Open Channel setup with the « crisis » priority, it sends a U_OCH_SETUP TSDU, accepts a D_ACK TSDU and a D_AUTHENTICATION TSDU, sends a U_AUTHENTICATION TSDU, accepts a D_AUTHORISATION TSDU, finally sends a U_EMPTY TSDU and enters the IDLE state.</p>
TP/APPLI/CC/NS/NVS/GC/BV/OCHSU-04	<p><b>Reference:</b> PAS 0001-3-1 [1], subclauses 5.5.2.1  <b>Condition:</b> IUT supports flash Open-Channel Setup  <b>Initial state:</b> IUT registered and in IDLE state  <b>Stimulus:</b> Open-Channel Setup from IDLE state with the FLASH priority</p> <p>Verify that, when the IUT initiates an Open Channel setup with the FLASH priority, it sends a U_OCH_SETUP TSDU with the priority field set to « flash », accepts a D_ACK TSDU and a D_AUTHENTICATION TSDU, sends a U_AUTHENTICATION TSDU, accepts a D_AUTHORISATION TSDU, finally sends a U_EMPTY TSDU and enters the IDLE state.</p>
TP/APPLI/CC/NS/NVS/GC/BV/OCHSU-05	<p><b>Reference:</b> PAS 0001-3-1 [1], subclauses 5.5.2.1  <b>Condition:</b> IUT supports Open-Channel Setup with definition of a Participation Operational Group  <b>Initial state:</b> IUT registered and in IDLE state  <b>Stimulus:</b> Open-Channel Setup from IDLE state</p> <p>Verify that, when the IUT initiates an Open Channel setup with one group_id, it sends a U_OCH_SETUP TSDU with one group_id field, accepts a D_ACK TSDU and a D_AUTHENTICATION TSDU, sends a U_AUTHENTICATION TSDU, accepts a D_AUTHORISATION TSDU, finally sends a U_EMPTY TSDU and enters the IDLE state.</p>

TP/APPLI/CC/NS/NVS/GC/BV/OCHSU-06	<p><b>Reference:</b> PAS 0001-3-1 [1], subclauses 5.5.2.1  <b>Condition:</b> IUT supports Open-Channel Setup with definition of Participation Operational Groups  <b>Initial state:</b> IUT registered and in IDLE state  <b>Stimulus:</b> Open-Channel Setup from IDLE state</p> <p>Verify that, when the IUT initiates an Open Channel setup with three group_id, it sends a U_OCH_SETUP TSDU with three group_id fields, accepts a D_ACK TSDU and a D_AUTHENTICATION TSDU, sends a U_AUTHENTICATION TSDU, accepts a D_AUTHORISATION TSDU, finally sends a U_EMPTY TSDU and enters the IDLE state.</p>
TP/APPLI/CC/NS/NVS/GC/BV/OCHSU-07	<p><b>Reference:</b> PAS 0001-3-1 [1], subclauses 5.5.2.2  <b>Condition:</b> IUT supports Open-Channel Setup  <b>Initial state:</b> IUT registered and in IDLE state  <b>Stimulus:</b> Open-Channel Setup from IDLE state</p> <p>Verify that, after initiating an Open Channel setup, sending a U_OCH_SETUP TSDU and accepting a D_ACK TSDU, when the IUT cancels the setup, it sends a U_ABORT TSDU with the cause « cleared by user », receives a D_EMPTY TSDU and enters the IDLE state.</p>
TP/APPLI/CC/NS/NVS/GC/BV/OCHSU-08	<p><b>Reference:</b> PAS 0001-3-1 [1], subclauses 5.5.2.2  <b>Condition:</b> IUT supports Open-Channel Setup  <b>Initial state:</b> IUT registered and in IDLE state  <b>Stimulus:</b> Open-Channel Setup from IDLE state</p> <p>Verify that, after initiating an Open Channel setup, sending a U_OCH_SETUP TSDU, accepting a D_ACK TSDU and a D_AUTHENTICATION TSDU and then sending a U_AUTHENTICATION TSDU, when the IUT cancels the setup, it sends a U_EMPTY TSDU and enters the IDLE state.</p>

TP/APPLI/CC/NS/NVS/GC/BV/OCHSU-09	<p><b>Reference:</b> PAS 0001-3-1 [1], subclauses 5.5.2.3  <b>Condition:</b> IUT supports Open-Channel Setup  <b>Initial state:</b> IUT registered and in IDLE state. It does not belong to the operational group authorised to set-up the open channel.  <b>Stimulus:</b> Open-Channel Setup from IDLE state</p> <p>Verify that, after initiating an Open Channel setup and sending a U_OCH_SETUP TSDU, when the IUT receives a D_REFUSAL TSDU with the cause « service barred calling party », it sends a U_EMPTY TSDU and enters the IDLE state.</p>
TP/APPLI/CC/NS/NVS/GC/BV/OCHSU-10	<p><b>Reference:</b> PAS 0001-3-1 [1], subclauses 5.5.2.3  <b>Condition:</b> IUT supports Open-Channel Setup  <b>Initial state:</b> IUT registered and in IDLE state.  <b>Stimulus:</b> Open-Channel Setup from IDLE state</p> <p>Verify that, after initiating an Open Channel setup, sending a U_OCH_SETUP TSDU and accepting a D_ACK TSDU, when the IUT receives a D_REFUSAL TSDU with the cause « open channel not created », it sends a U_EMPTY TSDU and enters the IDLE state.</p>
TP/APPLI/CC/NS/NVS/GC/BV/OCHSU-11	<p><b>Reference:</b> PAS 0001-3-1 [1], subclauses 5.5.2.3  <b>Condition:</b> IUT supports Open-Channel Setup  <b>Initial state:</b> IUT registered and in IDLE state.  <b>Stimulus:</b> Open-Channel Setup from IDLE state</p> <p>Verify that, after initiating an Open Channel setup, sending a U_OCH_SETUP TSDU and accepting a D_ACK TSDU, when the IUT receives a D_REFUSAL TSDU with the cause « open channel already set-up », it sends a U_EMPTY TSDU and enters the IDLE state.</p>
TP/APPLI/CC/NS/NVS/GC/BV/OCHSU-12	<p><b>Reference:</b> PAS 0001-3-1 [1], subclauses 5.5.2.3  <b>Condition:</b> IUT supports Open-Channel Setup  <b>Initial state:</b> IUT registered and in IDLE state.  <b>Stimulus:</b> Open-Channel Setup from IDLE state</p> <p>Verify that, after initiating an Open Channel setup, sending a U_OCH_SETUP TSDU and accepting a D_ACK TSDU, when the IUT receives a D_REFUSAL TSDU with the cause « out of coverage cell », it sends a U_EMPTY TSDU and enters the IDLE state.</p>

TP/APPLI/CC/NS/NVS/GC/BV/OCHSU-13	<p><b>Reference:</b> PAS 0001-3-1 [1], subclauses 5.5.2.3  <b>Condition:</b> IUT supports Open-Channel Setup  <b>Initial state:</b> IUT registered and in IDLE state.  <b>Stimulus:</b> Open-Channel Setup from IDLE state</p> <p>Verify that, after initiating an Open Channel setup, sending a U_OCH_SETUP TSDU and accepting a D_ACK TSDU, when the IUT receives a D_REJECT TSDU with the cause « unreachable open channel master », it sends a U_EMPTY TSDU and enters the IDLE state.</p>
-----------------------------------	--

### 6.2.3.2 Group Communication Participation

TP/APPLI/CC/NS/NVS/GC/BV/GCP-01	<p><b>Reference:</b> PAS 0001-3-1 [1], subclauses 5.5.4  <b>Condition:</b> IUT supports call in Talkgroup or Groupcall mode.  <b>Initial state:</b> IUT in IDLE state after reception of a network talkgroup.  <b>Stimulus:</b> Incoming Group List.</p> <p>Verify that, when the IUT accepts a D_GROUP_LIST TSDU with the talkgroup or groupcall coverage, it enters the COM_PARTICIPANT_ON_CCH if the user selects the Talkgroup or Groupcall communication.</p>
---------------------------------	--

TP/APPLI/CC/NS/NVS/GC/BV/GCP-02	<p><b>Reference:</b> PAS 0001-3-1 [1], subclauses 5.5.4  <b>Condition:</b> IUT supports call in Open Channel mode.  <b>Initial state:</b> IUT in IDLE state after reception of a single OG.  <b>Stimulus:</b> Incoming Group List.</p> <p>Verify that, when the IUT accepts a D_GROUP_LIST TSDU with a routine open channel and one of the open channel group_ids set to the delivered OG, it enters the COM_PARTICIPANT_ON_CCH if the user selects the Open Channel communication.</p>
---------------------------------	---

TP/APPLI/CC/NS/NVS/GC/BV/GCP-03	<p><b>Reference:</b> PAS 0001-3-1 [1], subclauses 5.5.4  <b>Condition:</b> IUT supports call in crisis Open Channel mode.  <b>Initial state:</b> IUT in IDLE state after reception of a single OG.  <b>Stimulus:</b> Incoming Group List with a crisis open channel.</p> <p>Verify that, when the IUT accepts a D_GROUP_LIST TSDU with a crisis open channel and one of the open channel group_ids set to the delivered OG, it enters the COM_PARTICIPANT_ON_CCH if the user selects the crisis Open Channel communication.</p>
---------------------------------	---

TP/APPLI/CC/NS/NVS/GC/BV/GCP-04	<p><b>Reference:</b> PAS 0001-3-1 [1], subclauses 5.5.4</p> <p><b>Condition:</b> IUT supports call in Open Channel mode.</p> <p><b>Initial state:</b> IUT in IDLE state after reception of a single OG.</p> <p><b>Stimulus:</b> Incoming Group List.</p> <p>Verify that, when the IUT accepts a D_GROUP_LIST TSDU with a routine open channel and a group_id which designates a multi OG, it accepts a D_GROUP_COMPOSITION TSDU with the delivered single OG, it enters the COM_PARTICIPANT_ON_CCH if the user selects the Open Channel communication.</p>
---------------------------------	--



TP/APPLI/CC/NS/NVS/GC/BV/GCP-05	<p><b>Reference:</b> PAS 0001-3-1 [1], subclauses 5.5.4  <b>Condition:</b> IUT supports call in Open Channel mode.  <b>Initial state:</b> IUT in IDLE state after reception of a single OG.  <b>Stimulus:</b> Incoming Group List with a crisis openchannel.</p> <p>Verify that, when the IUT accepts a D_GROUP_LIST TSDU with a crisis open channel and a group_id which designates a multi OG, and a D_GROUP_COMPOSITION TSDU and enters the COM_PARTICIPANT_ON_CCH if the user selects an Open Channel communication.</p>
TP/APPLI/CC/NS/NVS/GC/BV/GCP-06	<p><b>Reference:</b> PAS 0001-3-1 [1], subclauses 5.5.4  <b>Condition:</b> IUT supports call in Open Channel mode.  <b>Initial state:</b> IUT in IDLE state.  <b>Stimulus:</b> Incoming Group List.</p> <p>Verify that, when the IUT accepts a D_GROUP_LIST TSDU with a routine open channel and group-ids it doesn't belong to, and a D_ADDITIONAL_PARTICIPANTS TSDU with its identity, it enters the COM_PARTICIPANT_ON_CCH if the user selects the Open Channel communication.</p>
TP/APPLI/CC/NS/NVS/GC/BV/GCP-07	<p><b>Reference:</b> PAS 0001-3-1 [1], subclauses 5.5.4  <b>Condition:</b> IUT supports call in crisis Open Channel mode.  <b>Initial state:</b> IUT in IDLE state.  <b>Stimulus:</b> Incoming Group List with a crisis openchannel.</p> <p>Verify that, when the IUT accepts a D_GROUP_LIST TSDU with a crisis open channel and group-ids it doesn't belong to, and a D_ADDITIONAL_PARTICIPANTS TSDU with its identity, it enters the COM_PARTICIPANT_ON_CCH if the user selects the Open Channel communication.</p>

TP/APPLI/CC/NS/NVS/GC/BV/GCP-08	<p><b>Reference:</b> PAS 0001-3-1 [1], subclauses 5.5.4  <b>Condition:</b> IUT supports call in Open Channel mode.  <b>Initial state:</b> IUT in IDLE.  <b>Stimulus:</b> Incoming Group List.</p> <p>Verify that, when the IUT accepts a D_GROUP_LIST TSDU with a group_id which designates a multi OG, a D_GROUP_COMPOSITION TSDU with group ids it doesn't belong to and a D_ADDITIONAL_PARTICIPANTS TSDU with its identity, it enters the COM_PARTICIPANT_ON_CCH if the user selects the Open Channel communication.</p>
TP/APPLI/CC/NS/NVS/GC/BV/GCP-09	<p><b>Reference:</b> PAS 0001-3-1 [1], subclauses 5.5.3.1, 5.5.5.1  <b>Condition:</b> IUT supports call in Crisis Open Channel Mode.  <b>Initial state:</b> IUT in IDLE state after reception of a single OG.  <b>Stimulus:</b> Incoming Crisis Notification.</p> <p>Verify that, when the IUT accepts a D_CRISIS_NOTIFICATION TSDU with one of the group-ids set to the delivered OG, if the user selects the Crisis Open Channel communication before T779 expires it enters the COM_PARTICIPANT_ON_CCH state.</p>
TP/APPLI/CC/NS/NVS/GC/BV/GCP-10	<p><b>Reference:</b> PAS 0001-3-1 [1], subclauses 5.5.3.1, 5.5.5.1  <b>Condition:</b> IUT supports call in Crisis Open Channel Mode.  <b>Initial state:</b> IUT in IDLE state.  <b>Stimulus:</b> Incoming Crisis Notification.</p> <p>Verify that, when the IUT accepts 4 D_CRISIS_NOTIFICATION TSDU with one of the group-ids set to the delivered OG, if the user selects the Crisis Open Channel communication before T779 expires it enters the COM_PARTICIPANT_ON_CCH state.</p>
TP/APPLI/CC/NS/NVS/GC/BV/GCP-11	<p><b>Reference:</b> PAS 0001-3-1 [1], subclauses 5.5.3.1, 5.5.5.1  <b>Condition:</b> IUT supports call in Crisis Open Channel Mode.  <b>Initial state:</b> IUT in IDLE state.  <b>Stimulus:</b> Incoming Crisis Notification.</p> <p>Verify that, when the IUT accepts a D_CRISIS_NOTIFICATION TSDU and a D_GROUP_LIST TSDU with the crisis open channel and one of the open channel group-ids set to the delivered OG, if the user selects the Crisis Open Channel communication before T779 expires it enters the COM_PARTICIPANT_ON_CCH state.</p>

TP/APPLI/CC/NS/NVS/GC/BV/GCP-12	<p><b>Reference:</b> PAS 0001-3-1 [1], subclauses 5.5.3.1, 5.5.5.1  <b>Condition:</b> IUT supports call in Crisis Open Channel Mode.  <b>Initial state:</b> IUT in IDLE state.  <b>Stimulus:</b> Incoming Crisis Notification.</p> <p>Verify that, when the IUT accepts a D_GROUP_LIST TSDU with a crisis open channel and one of the open channel group-ids set to the delivered OG, if the user selects the Crisis Open Channel communication, it enters the COM_PARTICIPANT_ON_CCH state.</p>
TP/APPLI/CC/NS/NVS/GC/BV/GCP-13	<p><b>Reference:</b> PAS 0001-3-1 [1], subclauses 5.5.3.1, 5.5.5.1  <b>Condition:</b> IUT in access controled mode. IUT supports dispatch acknowledge crisis open channel setup or automatic crisis open channel setup mode.  <b>Initial state:</b> IUT in IDLE state.  <b>Stimulus:</b> Incoming Crisis Notification.</p> <p>Verify that, when the IUT initiates an Emergency request, it sends a U_EMERGENCY_REQ TSDU, accepts a D_ACK TSDU and a D_AUTHENTICATION TSDU, sends a U_AUTHENTICATION TSDU, accepts a D_AUTHORISATION TSDU and a D_EMERGENCY_ACK TSDU, and finally sends a U_EMPTY TSDU.  Then verify that, when the IUT accepts a D_CRISIS_NOTIFICATION TSDU with one of the group-ids set to the delivered OG, if the user selects the Crisis Open Channel communication before T779 expires it enters the COM_PARTICIPANT_ON_CCH state.</p>
TP/APPLI/CC/NS/NVS/GC/BV/GCP-14	<p><b>Reference:</b> PAS 0001-3-1 [1], subclauses 5.5.3.1, 5.5.5.1  <b>Condition:</b> IUT in access controled mode. IUT supports dispatch acknowledge crisis open channel setup or automatic crisis open channel setup mode.  <b>Initial state:</b> IUT in IDLE state.  <b>Stimulus:</b> Incoming Crisis Notification.</p> <p>Verify that, when the IUT initiates an Emergency request, it sends a U_EMERGENCY_REQ TSDU, accepts a D_ACK TSDU and a D_AUTHENTICATION TSDU, sends a U_AUTHENTICATION TSDU, accepts a D_AUTHORISATION TSDU and a D_EMERGENCY_ACK TSDU, and finally sends a U_EMPTY TSDU.  Then verify that, when the TSDU with one of the group-ids set to the delivered OG, if the user selects the Crisis Open Channel communication before T779 expires it enters the COM_PARTICIPANT_ON_CCH state.</p>

TP/APPLI/CC/NS/NVS/GC/BV/GCP-15	<p><b>Reference:</b> PAS 0001-3-1 [1], subclauses 5.5.3.1, 5.5.5.1</p> <p><b>Condition:</b> IUT in access controled mode. IUT supports dispatch acknowledge crisis open channel setup or automatic crisis open channel setup mode.</p> <p><b>Initial state:</b> IUT in IDLE state.</p> <p><b>Stimulus:</b> Incoming Crisis Notification.</p> <p>Verify that, when the IUT initiates an Emergency request, it sends a U_EMERGENCY_REQ TSDU, accepts a D_ACK TSDU and a D_AUTHENTICATION TSDU, sends a U_AUTHENTICATION TSDU, accepts a D_AUTHORISATION TSDU and a D_EMERGENCY_ACK TSDU, and finally sends a U_EMPTY TSDU.</p> <p>Then verify that, when the IUT accepts a D_CRISIS_NOTIFICATION TSDU and a D_GROUP_LIST TSDU with a crisis open channel and one of the open channel group-ids set to the delivered OG, if the user selects the Crisis Open Channel communication before T779 expires it enters the COM_PARTICIPANT_ON_CCH state..</p>
TP/APPLI/CC/NS/NVS/GC/BV/GCP-16	<p><b>Reference:</b> PAS 0001-3-1 [1], subclauses 5.5.3.1, 5.5.5.1</p> <p><b>Condition:</b> IUT in access controled mode. IUT supports dispatch acknowledge crisis open channel setup or automatic crisis open channel setup mode.</p> <p><b>Initial state:</b> IUT in IDLE state.</p> <p><b>Stimulus:</b> Incoming Crisis Notification.</p> <p>Verify that, when the IUT initiates an Emergency request, it sends a U_EMERGENCY_REQ TSDU, accepts a D_ACK TSDU and a D_AUTHENTICATION TSDU, sends a U_AUTHENTICATION TSDU, accepts a D_AUTHORISATION TSDU and a D_EMERGENCY_ACK TSDU, and finally sends a U_EMPTY TSDU.</p> <p>Then verify that, when the IUT accepts a D_GROUP_LIST TSDU with a crisis open channel and one of the open channel group-ids set to the delivered OG, if the user selects the Crisis Open Channel communication before T779 expires it enters the COM_PARTICIPANT_ON_CCH state.</p>

### 6.2.3.3 Group Communication Transmission

TP/APPLI/CC/NS/NVS/GC/BV/GCT-01	<p><b>Reference:</b> PAS 0001-3-1 [1], subclauses 5.5.5.1  <b>Condition:</b> IUT supports open channel participation.  <b>Initial state:</b> IUT in COM_PARTICIPANT_ON_CCH state  <b>Stimulus:</b> Group Communication transmission from COM_PARTICIPANT_ON_CCH state</p> <p>Verify that, when the IUT accepts a D_GROUP_ACTIVATION TSDU, it enters the COM_PARTICIPANT_ON_TCH state.</p>
TP/APPLI/CC/NS/NVS/GC/BV/GCT-02	<p><b>Reference:</b> PAS 0001-3-1 [1], subclauses 5.5.5.1  <b>Condition:</b> IUT supports crisis open channel participation.  <b>Initial state:</b> IUT in COM_PARTICIPANT_ON_CCH state of a crisis group communication  <b>Stimulus:</b> Group Communication transmission from COM_PARTICIPANT_ON_CCH state of crisis group communication.</p> <p>Verify that, when the IUT accepts a D_GROUP_ACTIVATION TSDU, it enters the COM_PARTICIPANT_ON_TCH state.</p>
TP/APPLI/CC/NS/NVS/GC/BV/GCT-03	<p><b>Reference:</b> PAS 0001-3-1 [1], subclauses 5.5.5.1  <b>Condition:</b> IUT supports talkgroup or groupcall participation.  <b>Initial state:</b> IUT in COM_PARTICIPANT_ON_CCH state  <b>Stimulus:</b> Talkgroup transmission from COM_PARTICIPANT_ON_CCH state</p> <p>Verify that, when the IUT accepts a D_GROUP_ACTIVATION TSDU, it enters the COM_PARTICIPANT_ON_TCH state.</p>
TP/APPLI/CC/NS/NVS/GC/BV/GCT-04	<p><b>Reference:</b> PAS 0001-3-1 [1], subclauses 5.5.5.1  <b>Condition:</b> IUT supports open channel participation.  <b>Initial state:</b> IUT in COM_PARTICIPANT_ON_CCH state  <b>Stimulus:</b> Group Communication transmission from COM_PARTICIPANT_ON_CCH state</p> <p>Verify that, when the user initiates a communication request to talk in a group communication, the IUT sends a U_GROUP_ACTIVATION TSDU, accepts a D_GROUP_ACTIVATION TSDU, finally enters the COM_PARTICIPANT_ON_TCH state.</p>

TP/APPLI/CC/NS/NVS/GC/BV/GCT-05	<p><b>Reference:</b> PAS 0001-3-1 [1], subclauses 5.5.5.1  <b>Condition:</b> IUT supports crisis open channel participation.  <b>Initial state:</b> IUT in COM_PARTICIPANT_ON_CCH state of a crisis group communication  <b>Stimulus:</b> Group Communication transmission from COM_PARTICIPANT_ON_CCH state of crisis group communication.</p> <p>Verify that, when the user initiates a communication request to talk in a group communication, the IUT sends a U_GROUP_ACTIVATION TSDU, accepts a D_GROUP_ACTIVATION TSDU, finally enters the COM_PARTICIPANT_ON_TCH state.</p>
TP/APPLI/CC/NS/NVS/GC/BV/GCT-06	<p><b>Reference:</b> PAS 0001-3-1 [1], subclauses 5.5.5.1  <b>Condition:</b> IUT supports talkgroup or groupcall participation.  <b>Initial state:</b> IUT in COM_PARTICIPANT_ON_CCH state  <b>Stimulus:</b> Talkgroup transmission from COM_PARTICIPANT_ON_CCH state</p> <p>Verify that, when the user initiates a communication request to talk in a group communication, the IUT sends a U_GROUP_ACTIVATION TSDU, accepts a D_GROUP_ACTIVATION TSDU, finally enters the COM_PARTICIPANT_ON_TCH state.</p>
TP/APPLI/CC/NS/NVS/GC/BV/GCT-07	<p><b>Reference:</b> PAS 0001-3-1 [1], subclauses 5.5.5.3  <b>Condition:</b> IUT supports open channel participation.  <b>Initial state:</b> IUT in COM_PARTICIPANT_ON_CCH state  <b>Stimulus:</b> Group Communication transmission from COM_PARTICIPANT_ON_CCH state</p> <p>Verify that, after sending a U_GROUP_ACTIVATION TSDU, when the IUT accepts a D_GROUP_REJECT TSDU with the cause « cell out of coverage », it does not enter the COM_PARTICIPANT_ON_TCH state.</p>
TP/APPLI/CC/NS/NVS/GC/BV/GCT-08	<p><b>Reference:</b> PAS 0001-3-1 [1], subclauses 5.5.5.3  <b>Condition:</b> IUT supports talkgroup or groupcall participation.  <b>Initial state:</b> IUT in COM_PARTICIPANT_ON_CCH state  <b>Stimulus:</b> Talkgroup transmission from COM_PARTICIPANT_ON_CCH state</p> <p>Verify that, after sending a U_GROUP_ACTIVATION TSDU, when the IUT accepts a D_GROUP_REJECT TSDU with the cause « cell out of coverage », it does not enter the COM_PARTICIPANT_ON_TCH state.</p>

TP/APPLI/CC/NS/NVS/GC/BV/GCT-09	<p><b>Reference:</b> PAS 0001-3-1 [1], subclauses 5.5.5.3  <b>Condition:</b> IUT supports open channel participation.  <b>Initial state:</b> IUT in COM_PARTICIPANT_ON_CCH state  <b>Stimulus:</b> Group Communication transmission from COM_PARTICIPANT_ON_CCH state</p> <p>Verify that, after sending a U_GROUP_ACTIVATION TSDU, when the IUT accepts a D_GROUP_REJECT TSDU with the cause « lack of resources », it does not enter the COM_PARTICIPANT_ON_TCH state.</p>
TP/APPLI/CC/NS/NVS/GC/BV/GCT-10	<p><b>Reference:</b> PAS 0001-3-1 [1], subclauses 5.5.5.3  <b>Condition:</b> IUT supports talkgroup or groupcall participation.  <b>Initial state:</b> IUT in COM_PARTICIPANT_ON_CCH state  <b>Stimulus:</b> Talkgroup transmission from COM_PARTICIPANT_ON_CCH state</p> <p>Verify that, after sending a U_GROUP_ACTIVATION TSDU, when the IUT accepts a D_GROUP_REJECT TSDU with the cause « lack of resources », it does not enter the COM_PARTICIPANT_ON_TCH state.</p>
TP/APPLI/CC/NS/NVS/GC/BV/GCT-11	<p><b>Reference:</b> PAS 0001-3-1 [1], subclauses 5.5.5.3  <b>Condition:</b> IUT supports open channel participation.  <b>Initial state:</b> IUT in COM_PARTICIPANT_ON_CCH state  <b>Stimulus:</b> Group Communication transmission from COM_PARTICIPANT_ON_CCH state</p> <p>Verify that, after sending a U_GROUP_ACTIVATION TSDU, when the IUT accepts a D_GROUP_REJECT TSDU with the cause « normal », it does not enter the COM_PARTICIPANT_ON_TCH state.</p>
TP/APPLI/CC/NS/NVS/GC/BV/GCT-12	<p><b>Reference:</b> PAS 0001-3-1 [1], subclauses 5.5.5.3  <b>Condition:</b> IUT supports crisis open channel participation.  <b>Initial state:</b> IUT in COM_PARTICIPANT_ON_CCH state of a crisis group communication  <b>Stimulus:</b> Group Communication transmission from COM_PARTICIPANT_ON_CCH state of crisis group communication.</p> <p>Verify that, after sending a U_GROUP_ACTIVATION TSDU, when the IUT accepts a D_GROUP_REJECT TSDU with the cause "normal", it does not enter the COM_PARTICIPANT_ON_TCH state.</p>

TP/APPLI/CC/NS/NVS/GC/BV/GCT-13	<p><b>Reference:</b> PAS 0001-3-1 [1], subclauses 5.5.5.3  <b>Condition:</b> IUT supports talkgroup or groupcall participation.  <b>Initial state:</b> IUT in COM_PARTICIPANT_ON_CCH state  <b>Stimulus:</b> Talkgroup transmission from COM_PARTICIPANT_ON_CCH state</p> <p>Verify that, after sending a U_GROUP_ACTIVATION TSDU, when the IUT accepts a D_GROUP_REJECT TSDU with the cause « normal », it does not enter the COM_PARTICIPANT_ON_TCH state.</p>
TP/APPLI/CC/NS/NVS/GC/BV/GCT-14	<p><b>Reference:</b> PAS 0001-3-1 [1], subclauses 5.5.8  <b>Condition:</b> IUT supports open channel participation.  <b>Initial state:</b> IUT in COM_PARTICIPANT_ON_TCH state  <b>Stimulus:</b> Incoming GROUP_IDLE.</p> <p>Verify that, when the IUT accepts a D_GROUP_IDLE TSDU with the cause « voice inactivity », it leaves the COM_PARTICIPANT_ON_TCH state.</p>
TP/APPLI/CC/NS/NVS/GC/BV/GCT-15	<p><b>Reference:</b> PAS 0001-3-1 [1], subclauses 5.5.8  <b>Condition:</b> IUT supports crisis open channel participation.  <b>Initial state:</b> IUT in COM_PARTICIPANT_ON_TCH state of a crisis group communication  <b>Stimulus:</b> Incoming GROUP_ACTIVATION of crisis group communication.</p> <p>Verify that, when the IUT accepts a D_GROUP_ACTIVATION TSDU, and a D_GROUP_IDLE TSDU with the cause "voice inactivity", it leaves the COM_PARTICIPANT_ON_CCH state.</p>
TP/APPLI/CC/NS/NVS/GC/BV/GCT-16	<p><b>Reference:</b> PAS 0001-3-1 [1], subclauses 5.5.8  <b>Condition:</b> IUT supports talkgroup or groupcall participation.  <b>Initial state:</b> IUT in COM_PARTICIPANT_ON_TCH state  <b>Stimulus:</b> Incoming GROUP_IDLE.</p> <p>Verify that, when the IUT accepts a D_GROUP_IDLE TSDU with the cause « voice inactivity », it leaves the COM_PARTICIPANT_ON_TCH state.</p>
TP/APPLI/CC/NS/NVS/GC/BV/GCT-17	<p><b>Reference:</b> PAS 0001-3-1 [1], subclauses 5.5.8  <b>Condition:</b> IUT supports open channel participation.  <b>Initial state:</b> IUT in COM_PARTICIPANT_ON_TCH state  <b>Stimulus:</b> Incoming GROUP_IDLE.</p> <p>Verify that, when the IUT accepts a D_GROUP_IDLE TSDU with the cause « activation time-out », it leaves the COM_PARTICIPANT_ON_TCH state.</p>



TP/APPLI/CC/NS/NVS/GC/BV/GCT-18	<p><b>Reference:</b> PAS 0001-3-1 [1], subclauses 5.5.8  <b>Condition:</b> IUT supports crisis open channel participation.  <b>Initial state:</b> IUT in COM_PARTICIPANT_ON_TCH state of a crisis group communication  <b>Stimulus:</b> Incoming GROUP_IDLE of crisis group communication.</p> <p>Verify that, when the IUT accepts a D_GROUP_ACTIVATION TSDU, and a D_GROUP_IDLE TSDU with the cause "activation time out", it leaves the COM_PARTICIPANT_ON_CCH state.</p>
TP/APPLI/CC/NS/NVS/GC/BV/GCT-19	<p><b>Reference:</b> PAS 0001-3-1 [1], subclauses 5.5.8  <b>Condition:</b> IUT supports talkgroup or groupcall participation.  <b>Initial state:</b> IUT in COM_PARTICIPANT_ON_TCH state  <b>Stimulus:</b> Incoming GROUP_IDLE.</p> <p>Verify that, when the IUT accepts a D_GROUP_IDLE TSDU with the cause « activation time-out », it leaves the COM_PARTICIPANT_ON_TCH state.</p>
TP/APPLI/CC/NS/NVS/GC/BV/GCT-20	<p><b>Reference:</b> PAS 0001-3-1 [1], subclauses 5.5.11  <b>Condition:</b> IUT supports open channel participation.  <b>Initial state:</b> IUT in COM_PARTICIPANT_ON_TCH state  <b>Stimulus:</b> Incoming GROUP_END.</p> <p>Verify that, when the IUT accepts a D_GROUP_END TSDU with the cause « coverage not guaranteed », it leaves the COM_PARTICIPANT_ON_TCH state.</p>
TP/APPLI/CC/NS/NVS/GC/BV/GCT-21	<p><b>Reference:</b> PAS 0001-3-1 [1], subclauses 5.5.11  <b>Condition:</b> IUT supports talkgroup or groupcall participation.  <b>Initial state:</b> IUT in COM_PARTICIPANT_ON_TCH state  <b>Stimulus:</b> Incoming GROUP_END.</p> <p>Verify that, when the IUT accepts a D_GROUP_END TSDU with the cause « coverage not guaranteed », it leaves the COM_PARTICIPANT_ON_TCH state.</p>

TP/APPLI/CC/NS/NVS/GC/BV/GCT-22	<p><b>Reference:</b> PAS 0001-3-1 [1], subclauses 5.5.11  <b>Condition:</b> IUT supports open channel participation.  <b>Initial state:</b> IUT in COM_PARTICIPANT_ON_TCH state  <b>Stimulus:</b> Incoming GROUP_END.</p> <p>Verify that, when the IUT accepts a D_GROUP_END TSDU with the cause « resource pre-emption », it leaves the COM_PARTICIPANT_ON_TCH state.</p>
TP/APPLI/CC/NS/NVS/GC/BV/GCT-23	<p><b>Reference:</b> PAS 0001-3-1 [1], subclauses 5.5.11  <b>Condition:</b> IUT supports talkgroup or groupcall participation.  <b>Initial state:</b> IUT in COM_PARTICIPANT_ON_TCH state  <b>Stimulus:</b> Incoming GROUP_END.</p> <p>Verify that, when the IUT accepts a D_GROUP_END TSDU with the cause « resource pre-emption », it leaves the COM_PARTICIPANT_ON_TCH state.</p>
TP/APPLI/CC/NS/NVS/GC/BV/GCT-24	<p><b>Reference:</b> PAS 0001-3-1 [1], subclauses 5.5.11  <b>Condition:</b> IUT supports open channel participation.  <b>Initial state:</b> IUT in COM_PARTICIPANT_ON_TCH state  <b>Stimulus:</b> Incoming GROUP_END.</p> <p>Verify that, when the IUT accepts a D_GROUP_END TSDU with the cause « normal », it leaves the COM_PARTICIPANT_ON_TCH state.</p>
TP/APPLI/CC/NS/NVS/GC/BV/GCT-25	<p><b>Reference:</b> PAS 0001-3-1 [1], subclauses 5.5.11  <b>Condition:</b> IUT supports talkgroup or groupcall participation.  <b>Initial state:</b> IUT in COM_PARTICIPANT_ON_TCH state  <b>Stimulus:</b> Incoming GROUP_END.</p> <p>Verify that, when the IUT accepts a D_GROUP_END TSDU with the cause « normal », it leaves the COM_PARTICIPANT_ON_TCH state.</p>
TP/APPLI/CC/NS/NVS/GC/BV/GCT-26	<p><b>Reference:</b> PAS 0001-3-1 [1], subclauses 5.5.11  <b>Condition:</b> IUT supports open channel participation.  <b>Initial state:</b> IUT in COM_PARTICIPANT_ON_TCH state  <b>Stimulus:</b> Incoming GROUP_END.</p> <p>Verify that, when the IUT accepts a D_GROUP_END TSDU with the cause « operator decision », it leaves the COM_PARTICIPANT_ON_TCH state.</p>

TP/APPLI/CC/NS/NVS/GC/BV/GCT-27	<p><b>Reference:</b> PAS 0001-3-1 [1], subclauses 5.5.11  <b>Condition:</b> IUT supports crisis open channel participation.  <b>Initial state:</b> IUT in COM_PARTICIPANT_ON_TCH state of a crisis group communication  <b>Stimulus:</b> Incoming GROUP_END of crisis group communication.</p> <p>Verify that, when the IUT accepts a D_GROUP_ACTIVATION TSDU and a D_GROUP_END TSDU with the cause "operator decision", it leaves the COM_PARTICIPANT_ON_TCH state.</p>
TP/APPLI/CC/NS/NVS/GC/BV/GCT-28	<p><b>Reference:</b> PAS 0001-3-1 [1], subclauses 5.5.11  <b>Condition:</b> IUT supports talkgroup or groupcall participation.  <b>Initial state:</b> IUT in COM_PARTICIPANT_ON_TCH state  <b>Stimulus:</b> Incoming GROUP_END.</p> <p>Verify that, when the IUT accepts a D_GROUP_END TSDU with the cause « operator decision », it leaves the COM_PARTICIPANT_ON_TCH state.</p>

## 6.2.3.4 Open Channel release

TP/APPLI/CC/NS/NVS/GC/BV/OCHR-01	<p><b>Reference:</b> PAS 0001-3-1 [1], subclauses 5.5.10.1  <b>Condition:</b> IUT supports Open-Channel Release  <b>Initial state:</b> IUT registered and in IDLE state  <b>Stimulus:</b> Open-Channel Release from IDLE state</p> <p>Verify that, when the IUT initiates an Open Channel release with the « routine » priority, it sends a U_OCH_RELEASE TSDU, accepts a D_ACK TSDU and a D_AUTHENTICATION TSDU, sends a U_AUTHENTICATION TSDU, accepts a D_AUTHORISATION TSDU, finally sends a U_EMPTY TSDU and enters the IDLE state.</p>
TP/APPLI/CC/NS/NVS/GC/BV/OCHR-02	<p><b>Reference:</b> PAS 0001-3-1 [1], subclauses 5.5.10.1  <b>Condition:</b> IUT supports Open-Channel Release and broadcast Open-Channel.  <b>Initial state:</b> IUT registered and in IDLE state  <b>Stimulus:</b> Open-Channel Release from IDLE state</p> <p>Verify that, when the IUT initiates an Open Channel release with the « broadcast » priority, it sends a U_OCH_RELEASE TSDU, accepts a D_ACK TSDU and a D_AUTHENTICATION TSDU, sends a U_AUTHENTICATION TSDU, accepts a D_AUTHORISATION TSDU, finally sends a U_EMPTY TSDU and enters the IDLE state.</p>
TP/APPLI/CC/NS/NVS/GC/BV/OCHR-03	<p><b>Reference:</b> PAS 0001-3-1 [1], subclauses 5.5.10.1  <b>Condition:</b> IUT supports Open-Channel Release and crisis Open-Channel.  <b>Initial state:</b> IUT registered and in IDLE state  <b>Stimulus:</b> Open-Channel Release from IDLE state</p> <p>Verify that, when the IUT initiates an Open Channel release with the « crisis » priority, it sends a U_OCH_RELEASE TSDU, accepts a D_ACK TSDU and a D_AUTHENTICATION TSDU, sends a U_AUTHENTICATION TSDU, accepts a D_AUTHORISATION TSDU, finally sends a U_EMPTY TSDU and enters the IDLE state.</p>

TP/APPLI/CC/NS/NVS/GC/BV/OCHR-04	<p><b>Reference:</b> PAS 0001-3-1 [1], subclauses 5.5.10.1  <b>Condition:</b> IUT supports Open-Channel Release  <b>Initial state:</b> IUT registered and in IDLE state  <b>Stimulus:</b> Open-Channel Release from IDLE state with the FLASH priority</p> <p>Verify that, when the IUT initiates an Open Channel release with the « flash » priority, it sends a U_OCH_RELEASE TSDU with the priority field set to « flash », accepts a D_ACK TSDU and a D_AUTHENTICATION TSDU, sends a U_AUTHENTICATION TSDU, accepts a D_AUTHORISATION TSDU, finally sends a U_EMPTY TSDU and enters the IDLE state.</p>
TP/APPLI/CC/NS/NVS/GC/BV/OCHR-05	<p><b>Reference:</b> PAS 0001-3-1 [1], subclauses 5.5.10.2  <b>Condition:</b> IUT supports Open-Channel Release  <b>Initial state:</b> IUT registered and in IDLE state  <b>Stimulus:</b> Open-Channel Release from IDLE state</p> <p>Verify that, after initiating an Open Channel release, sending a U_OCH_RELEASE TSDU, accepting a D_ACK TSDU and a D_AUTHENTICATION TSDU and then sending a U_AUTHENTICATION TSDU, when the IUT cancels the release, it sends a U_EMPTY TSDU and enters the IDLE state.</p>
TP/APPLI/CC/NS/NVS/GC/BV/OCHR-06	<p><b>Reference:</b> PAS 0001-3-1 [1], subclauses 5.5.10.2  <b>Condition:</b> IUT supports Open-Channel Release  <b>Initial state:</b> IUT registered and in IDLE state  <b>Stimulus:</b> Open-Channel Release from IDLE state</p> <p>Verify that, after initiating an Open Channel release, sending a U_OCH_RELEASE TSDU and accepting a D_ACK TSDU, when the IUT cancels the release, it sends a U_ABORT TSDU with the cause « cleared by user », receives a D_EMPTY TSDU and enters the IDLE state.</p>
TP/APPLI/CC/NS/NVS/GC/BV/OCHR-07	<p><b>Reference:</b> PAS 0001-3-1 [1], subclauses 5.5.10.3  <b>Condition:</b> IUT supports Open-Channel Release  <b>Initial state:</b> IUT registered and in IDLE state. It does not belong to the operational group authorised to release the open channel.  <b>Stimulus:</b> Open-Channel Release from IDLE state</p> <p>Verify that, after initiating an Open Channel release, sending a U_OCH_RELEASE TSDU and accepting a D_ACK TSDU, when the IUT receives a D_REFUSAL TSDU with the cause « service barred calling party », it sends a U_EMPTY TSDU and enters the IDLE state.</p>

TP/APPLI/CC/NS/NVS/GC/BV/OCHR-08	<p><b>Reference:</b> PAS 0001-3-1 [1], subclauses 5.5.10.3  <b>Condition:</b> IUT supports Open-Channel Release  <b>Initial state:</b> IUT registered and in IDLE state.  <b>Stimulus:</b> Open-Channel Release from IDLE state</p> <p>Verify that, after initiating an Open Channel release and sending a U_OCH_RELEASE TSDU, when the IUT receives a D_REFUSAL TSDU with the cause « out of coverage cell », it sends a U_EMPTY TSDU and enters the IDLE state.</p>
----------------------------------	---

TP/APPLI/CC/NS/NVS/GC/BV/OCHR-09	<p><b>Reference:</b> PAS 0001-3-1 [1], subclauses 5.5.10.3  <b>Condition:</b> IUT supports Open-Channel Release  <b>Initial state:</b> IUT registered and in IDLE state  <b>Stimulus:</b> Open-Channel Release from IDLE state</p> <p>Verify that, after initiating an Open Channel release, sending a U_OCH_RELEASE TSDU and accepting a D_ACK TSDU, when the IUT receives a D_REFUSAL TSDU with the cause « unknown open channel », it sends a U_EMPTY TSDU and enters the IDLE state.</p>
----------------------------------	--

TP/APPLI/CC/NS/NVS/GC/BV/OCHR-10	<p><b>Reference:</b> PAS 0001-3-1 [1], subclauses 5.5.10.3  <b>Condition:</b> IUT supports Open-Channel Release  <b>Initial state:</b> IUT registered and in IDLE state  <b>Stimulus:</b> Open-Channel Release from IDLE state</p> <p>Verify that, after initiating an Open Channel release, sending a U_OCH_RELEASE TSDU and accepting a D_ACK TSDU a D_AUTHENTICATION TSDU sending a U_AUTHENTICATION TSDU, when the IUT receives a D_REJECT TSDU with the cause « unreachable open channel master », it sends a U_EMPTY TSDU and enters the IDLE state.</p>
----------------------------------	--

#### 6.2.4 Timers tests

TP/APPLI/CC/NS/NVS/GC/TI-01	<p><b>Reference:</b> PAS 0001-3-1 [1], subclauses 5.5.2  <b>Condition:</b> IUT supports Open-Channel Setup  <b>Initial state:</b> IUT registered and in IDLE state  <b>Stimulus:</b> Open-Channel Setup from IDLE state</p> <p>Verify that, after initiating an Open Channel setup, sending a U_OCH_SETUP TSDU and accepting a D_ACK TSDU, the IUT sets a timer T770. When T770 expires, the IUT sends a U_ABORT TSDU with the cause « application event », receives a D_EMPTY TSDU and enters the IDLE state.</p>
-----------------------------	--

TP/APPLI/CC/NS/NVS/GC/TI-02	<p><b>Reference:</b> PAS 0001-3-1 [1], subclauses 5.5.2  <b>Condition:</b> IUT supports Open-Channel Setup  <b>Initial state:</b> IUT registered and in IDLE state. It does not belong to the operational group authorised to set-up the open channel.  <b>Stimulus:</b> Open-Channel Setup from IDLE state</p> <p>Verify that, after initiating an Open Channel setup, sending a U_OCH_SETUP TSDU, accepting a D_ACK TSDU and a D_AUTHENTICATION TSDU, and sending a U_AUTHENTICATION TSDU, the IUT sets a timer T772. When T772 expires, the IUT sends a U_EMPTY TSDU and enters the IDLE state.</p>
TP/APPLI/CC/NS/NVS/GC/TI-03	<p><b>Reference:</b> PAS 0001-3-1 [1], subclauses 5.5.2  <b>Condition:</b> IUT supports call in open channel mode.  <b>Initial state:</b> IUT in COM_PARTICIPANT_ON_CCH state  <b>Stimulus:</b> Group Communication transmission from COM_PARTICIPANT_ON_CCH state</p> <p>Verify that, after a transmission request, the IUT sends a U_GROUP_ACTIVATION TSDU and sets a timer T773. When T773 expires, the IUT does not enter in the COM_PARTICIPANT_ON_TCH state.</p>
TP/APPLI/CC/NS/NVS/GC/TI-04	<p><b>Reference:</b> PAS 0001-3-1 [1], subclauses 5.5.2  <b>Condition:</b> IUT supports call in talkgroup mode.  <b>Initial state:</b> IUT in COM_PARTICIPANT_ON_CCH state  <b>Stimulus:</b> Talkgroup transmission from COM_PARTICIPANT_ON_CCH state</p> <p>Verify that, after a transmission request, the IUT sends a U_GROUP_ACTIVATION TSDU and sets a timer T773. When T773 expires, the IUT does not enter in the COM_PARTICIPANT_ON_TCH state.</p>
TP/APPLI/CC/NS/NVS/GC/TI-05	<p><b>Reference:</b> PAS 0001-3-1 [1], subclauses 5.5.10  <b>Condition:</b> IUT supports Open-Channel Release  <b>Initial state:</b> IUT registered and in IDLE state  <b>Stimulus:</b> Open-Channel Release from IDLE state</p> <p>Verify that, after initiating an Open Channel release, sending a U_OCH_RELEASE TSDU, accepting a D_ACK TSDU and a D_AUTHENTICATION TSDU and sending a U_AUTHENTICATION TSDU, the IUT sets a timer T775. When T775 expires, the IUT sends a U_EMPTY TSDU and enters the IDLE state.</p>

TP/APPLI/CC/NS/NVS/GC/TI-06	<p><b>Reference:</b> PAS 0001-3-1 [1], subclauses 5.5.10 <b>Condition:</b> IUT supports Open-Channel Release <b>Initial state:</b> IUT registered and in IDLE state <b>Stimulus:</b> Open-Channel Release from IDLE state</p> <p>Verify that, after initiating an Open Channel release, sending a U_OCH_RELEASE TSDU and accepting a D_ACK TSDU, the IUT sets a timer T777. When T777 expires, the IUT sends a U_ABORT TSDU with the cause « application event », receives a D_EMPTY TSDU and enters the IDLE state.</p>
-----------------------------	--



### 6.3 Emergency

Test group objective : to test the behaviour of the IUT, when operating in emergency mode.

Condition : IUT supports Emergency communications.

#### 6.3.1 Basic Interconnection tests

- TP/APPLI/CC/NS/NVS/E/BV/ES-01 & 10
- TP/APPLI/CC/NS/NVS/E/BV/ECHSU-01

#### 6.3.2 Capability tests

- TP/APPLI/CC/NS/NVS/E/BV/ES-01 & 10
- TP/APPLI/CC/NS/NVS/E/BV/ECHSU-01
- TP/APPLI/CC/NS/NVS/E/BV/ESIR-01
- TP/APPLI/CC/NS/NVS/E/BV/EP-01 & 02 & 06
- TP/APPLI/CC/NS/NVS/E/BV/ET-01 & 02
- TP/APPLI/CC/NS/NVS/E/BV/ECHR-01

#### 6.3.3 Valid Behaviours tests

Test group objective : to test the valid behaviour of the IUT, when operating in emergency mode.

##### 6.3.3.1 Emergency Signalling

TP/APPLI/CC/NS/NVS/E/BV/ES-01	<p><b>Reference:</b> PAS 0001-3-1 [1], subclauses 5.6.4.1  <b>Condition:</b> IUT in access controlled mode. RT organisation supports dispatch acknowledge crisis open channel setup or automatic crisis open channel setup.  <b>Initial state:</b> IUT registered and in IDLE state  <b>Stimulus:</b> Emergency Signalling from IDLE state</p> <p>Verify that, when the IUT initiates an Emergency request, it sends a U_EMERGENCY_REQ TSDU, accepts a D_ACK TSDU and a D_AUTHENTICATION TSDU, sends a U_AUTHENTICATION TSDU, accepts a D_AUTHORISATION TSDU and a D_EMERGENCY_ACK TSDU, sends a U_EMPTY TSDU, finally accepts a D_CRISIS_NOTIFICATION TSDU and a D_GROUP_LIST TSDU and enters the IDLE state.</p>
-------------------------------	--

TP/APPLI/CC/NS/NVS/E/BV/ES-02	<p><b>Reference:</b> PAS 0001-3-1 [1], subclauses 5.6.4.1</p> <p><b>Condition:</b> IUT in access controlled mode. RT organisation supports dispatch acknowledge crisis open channel setup or automatic crisis open channel setup.</p> <p><b>Initial state:</b> IUT registered and in IDLE state</p> <p><b>Stimulus:</b> Emergency Signalling from IDLE state</p> <p>Verify that, when the IUT initiates an Emergency request, it sends a U_EMERGENCY_REQ TSDU, accepts a D_ACK TSDU and a D_AUTHENTICATION TSDU, sends a U_AUTHENTICATION TSDU, accepts a D_AUTHORISATION TSDU and a D_EMERGENCY_ACK TSDU, sends a U_EMPTY TSDU, finally accepts a D_EMERGENCY_NOTIFICATION TSDU and a D_GROUP_LIST TSDU and enters the IDLE state.</p>
TP/APPLI/CC/NS/NVS/E/BV/ES-03	<p><b>Reference:</b> PAS 0001-3-1 [1], subclauses 5.6.4.1</p> <p><b>Condition:</b> IUT in access controlled mode. RT organisation supports dispatch private call</p> <p><b>Initial state:</b> IUT registered and in IDLE state</p> <p><b>Stimulus:</b> Emergency Signalling from IDLE state</p> <p>Verify that, when the IUT initiates an Emergency request, it sends a U_EMERGENCY_REQ TSDU, accepts a D_ACK TSDU and a D_AUTHENTICATION TSDU, sends a U_AUTHENTICATION TSDU, accepts a D_AUTHORISATION TSDU and a D_EMERGENCY_ACK TSDU, sends a U_EMPTY TSDU, accepts a D_CALL_SETUP TSDU, sends a U_ACK TSDU and a U_CALL_ANSWER TSDU, accepts a D_CALL_CONNECT TSDU, sends a U_CALL_CONNECT TSDU, finally accepts a D_CALL_START TSDU, and enters the CONVERSATION state.</p>
TP/APPLI/CC/NS/NVS/E/BV/ES-04	<p><b>Reference:</b> PAS 0001-3-1 [1], subclauses 5.6.4.2</p> <p><b>Condition:</b> IUT in access controlled mode. RT organisation supports dispatch acknowledge Crisis Open Channel Setup or dispatch private call.</p> <p><b>Initial state:</b> IUT registered and in IDLE state</p> <p><b>Stimulus:</b> Emergency Signalling from IDLE state</p> <p>Verify that, when the IUT initiates an Emergency request, it sends a U_EMERGENCY_REQ TSDU, accepts a D_ACK TSDU and a D_AUTHENTICATION TSDU, sends a U_AUTHENTICATION TSDU, accepts a D_AUTHORISATION TSDU and a D_EMERGENCY_NAK TSDU, finally sends a U_EMPTY TSDU and enters the IDLE state.</p>

TP/APPLI/CC/NS/NVS/E/BV/ES-05	<p><b>Reference:</b> PAS 0001-3-1 [1], subclauses 5.6.4.3  <b>Condition:</b> IUT in access controlled mode.  <b>Initial state:</b> IUT registered and in IDLE state  <b>Stimulus:</b> Emergency Signalling from IDLE state</p> <p>Verify that, after initiating an Emergency request, sending a U_EMERGENCY_REQ TSDU, accepting a D_ACK TSDU, when the IUT cancels the request, it sends a U_ABORT TSDU with the cause « cleared by user », receives a D_EMPTY TSDU and enters the IDLE state.</p>
TP/APPLI/CC/NS/NVS/E/BV/ES-06	<p><b>Reference:</b> PAS 0001-3-1 [1], subclauses 5.6.4.3  <b>Condition:</b> IUT in access controlled mode.  <b>Initial state:</b> IUT registered and in IDLE state  <b>Stimulus:</b> Emergency Signalling from IDLE state</p> <p>Verify that, after initiating an Emergency request and sending a U_EMERGENCY_REQ TSDU, when the IUT cancels the request, it sends a U_ABORT TSDU with the cause « cleared by user », receives a D_EMPTY TSDU and enters the IDLE state.</p>
TP/APPLI/CC/NS/NVS/E/BV/ES-07	<p><b>Reference:</b> PAS 0001-3-1 [1], subclauses 5.6.4.3  <b>Condition:</b> IUT in access controlled mode.  <b>Initial state:</b> IUT registered and in IDLE state  <b>Stimulus:</b> Emergency Signalling from IDLE state</p> <p>Verify that, after initiating an Emergency request, sending a U_EMERGENCY_REQ TSDU, accepting a D_ACK TSDU and a D_AUTHENTICATION TSDU and then sending a U_AUTHENTICATION TSDU, when the IUT cancels the request, it sends a U_EMPTY TSDU and enters the IDLE state.</p>
TP/APPLI/CC/NS/NVS/E/BV/ES-08	<p><b>Reference:</b> PAS 0001-3-1 [1], subclauses 5.6.4.4  <b>Condition:</b> IUT in access controlled mode.  <b>Initial state:</b> IUT registered and in IDLE state  <b>Stimulus:</b> Emergency Signalling from IDLE state</p> <p>Verify that, after initiating an Emergency request, sending a U_EMERGENCY_REQ TSDU and accepting a D_ACK TSDU, when the IUT receives a D_REFUSAL TSDU with the cause « unknown calling party », it sends a U_EMPTY TSDU and enters the IDLE state.</p>

TP/APPLI/CC/NS/NVS/E/BV/ES-09	<p><b>Reference:</b> PAS 0001-3-1 [1], subclauses 5.6.4.4 <b>Condition:</b> IUT in access controlled mode. <b>Initial state:</b> IUT registered and in IDLE state <b>Stimulus:</b> Emergency Signalling from IDLE state</p> <p>Verify that, after initiating an Emergency request, sending a U_EMERGENCY_REQ TSDU and accepting a D_ACK TSDU, when the IUT receives a D_REJECT TSDU with the cause « network event », it sends a U_EMPTY TSDU and enters the IDLE state.</p>
TP/APPLI/CC/NS/NVS/E/BV/ES-10	<p><b>Reference:</b> PAS 0001-3-1 [1], subclauses 5.6.2 <b>Condition:</b> IUT supports Remote Emergency Open Channel Setup <b>Initial state:</b> IUT registered and in IDLE state <b>Stimulus:</b> Emergency Signalling from IDLE state</p> <p>Verify that, when the IUT initiates an Emergency request, it sends a U_SHORT_DATA TSDU, finally accepts a D_GROUP_LIST TSDU and enters the IDLE state.</p>

## 6.3.3.2 Emergency Open Channel Setup

TP/APPLI/CC/NS/NVS/E/BV/ECHSU-01	<p><b>Reference:</b> PAS 0001-3-1 [1], subclauses 5.6.7.1  <b>Condition:</b> IUT supports Emergency Open-Channel Setup  <b>Initial state:</b> IUT registered and in IDLE state  <b>Stimulus:</b> Emergency Open-Channel Setup from IDLE state</p> <p>Verify that, when the IUT initiates an Emergency Open-Channel Setup, it sends a U_ECH_SETUP TSDU, accepts a D_ACK TSDU and a D_AUTHENTICATION TSDU, sends a U_AUTHENTICATION TSDU, accepts a D_AUTHORISATION TSDU, sends a U_EMPTY TSDU, finally accepts a D_GROUP_LIST TSDU and enters the IDLE state.</p>
TP/APPLI/CC/NS/NVS/E/BV/ECHSU-02	<p><b>Reference:</b> PAS 0001-3-1 [1], subclauses 5.6.7.2  <b>Condition:</b> IUT supports Emergency Open-Channel Setup  <b>Initial state:</b> IUT registered and in IDLE state  <b>Stimulus:</b> Emergency Open-Channel Setup from IDLE state</p> <p>Verify that, after initiating an Emergency Open Channel setup and sending a U_ECH_SETUP TSDU, when the IUT cancels the setup, it sends a U_ABORT TSDU with the cause « cleared by user », receives a D_EMPTY TSDU and enters the IDLE state.</p>
TP/APPLI/CC/NS/NVS/E/BV/ECHSU-03	<p><b>Reference:</b> PAS 0001-3-1 [1], subclauses 5.6.7.3  <b>Condition:</b> IUT supports Emergency Open-Channel Setup  <b>Initial state:</b> IUT registered and in IDLE state  <b>Stimulus:</b> Emergency Open-Channel Setup from IDLE state</p> <p>Verify that, after initiating an Emergency Open-Channel Setup, sending a U_ECH_SETUP TSDU, accepting a D_ACK TSDU and a D_AUTHENTICATION TSDU and then sending a U_AUTHENTICATION TSDU, when the IUT cancels the setup, it sends a U_EMPTY TSDU and enters the IDLE state.</p>
TP/APPLI/CC/NS/NVS/E/BV/ECHSU-04	<p><b>Reference:</b> PAS 0001-3-1 [1], subclauses 5.6.7.3  <b>Condition:</b> IUT supports Emergency Open-Channel Setup  <b>Initial state:</b> IUT registered and in IDLE state  <b>Stimulus:</b> Emergency Open-Channel Setup from IDLE state</p> <p>Verify that, after initiating an Emergency Open-Channel Setup, sending a U_ECH_SETUP TSDU, accepting a D_ACK TSDU and a D_AUTHENTICATION TSDU and then sending a U_AUTHENTICATION TSDU, it accepts a D_AUTHORISATION TSDU, sends a U_EMPTY TSDU, and when the IUT cancels the setup, it sends a U_EMPTY TSDU and enters the IDLE state.</p>

TP/APPLI/CC/NS/NVS/E/BV/ECHSU-05	<p><b>Reference:</b> PAS 0001-3-1 [1], subclauses 5.6.7.3  <b>Condition:</b> IUT supports Emergency Open-Channel Setup  <b>Initial state:</b> IUT registered and in IDLE state  <b>Stimulus:</b> Emergency Open-Channel Setup from IDLE state</p> <p>Verify that, after initiating an Emergency Open Channel setup, sending a U_ECH_SETUP TSDU and accepting a D_ACK TSDU, when the IUT receives a D_REFUSAL TSDU with the cause « unknown calling party », it sends a U_EMPTY TSDU and enters the IDLE state.</p>
TP/APPLI/CC/NS/NVS/E/BV/ECHSU-06	<p><b>Reference:</b> PAS 0001-3-1 [1], subclauses 5.6.7.3  <b>Condition:</b> IUT supports Emergency Open-Channel Setup  <b>Initial state:</b> IUT registered and in IDLE state  <b>Stimulus:</b> Emergency Open-Channel Setup from IDLE state</p> <p>Verify that, after initiating an Emergency Open Channel setup, sending a U_ECH_SETUP TSDU and accepting a D_ACK TSDU, when the IUT receives a D_REFUSAL TSDU with the cause « open channel not created », it sends a U_EMPTY TSDU and enters the IDLE state.</p>
TP/APPLI/CC/NS/NVS/E/BV/ECHSU-07	<p><b>Reference:</b> PAS 0001-3-1 [1], subclauses 5.6.7.3  <b>Condition:</b> IUT supports Emergency Open-Channel Setup  <b>Initial state:</b> IUT registered and in IDLE state  <b>Stimulus:</b> Emergency Open-Channel Setup from IDLE state</p> <p>Verify that, after initiating an Emergency Open Channel setup, sending a U_ECH_SETUP TSDU and accepting a D_ACK TSDU, when the IUT receives a D_REFUSAL TSDU with the cause « out of coverage cell », it sends a U_EMPTY TSDU and enters the IDLE state.</p>
TP/APPLI/CC/NS/NVS/E/BV/ECHSU-08	<p><b>Reference:</b> PAS 0001-3-1 [1], subclauses 5.6.7.3  <b>Condition:</b> IUT supports Emergency Open-Channel Setup  <b>Initial state:</b> IUT registered and in IDLE state  <b>Stimulus:</b> Emergency Open-Channel Setup from IDLE state</p> <p>Verify that, after initiating an Emergency Open Channel setup, sending a U_ECH_SETUP TSDU and accepting a D_ACK TSDU, when the IUT receives a D_REFUSAL TSDU with the cause « identification error », it sends a U_EMPTY TSDU and enters the IDLE state.</p>

TP/APPLI/CC/NS/NVS/E/BV/ECHSU-09	<p><b>Reference:</b> PAS 0001-3-1 [1], subclauses 5.6.7.3  <b>Condition:</b> IUT supports Emergency Open-Channel Setup  <b>Initial state:</b> IUT registered and in IDLE state  <b>Stimulus:</b> Emergency Open-Channel Setup from IDLE state</p> <p>Verify that, after initiating an Emergency Open Channel setup, sending a U_ECH_SETUP TSDU and accepting a D_ACK TSDU, when the IUT receives a D_REJECT TSDU with the cause « unreachable open channel master », it sends a U_EMPTY TSDU and enters the IDLE state.</p>
----------------------------------	---

TP/APPLI/CC/NS/NVS/E/BV/ECHSU-10	<p><b>Reference:</b> PAS 0001-3-1 [1], subclauses 5.6.7.3  <b>Condition:</b> IUT supports Emergency Open-Channel Setup  <b>Initial state:</b> IUT registered and in IDLE state  <b>Stimulus:</b> Emergency Open-Channel Setup from IDLE state</p> <p>Verify that, after initiating an Emergency Open Channel setup, sending a U_ECH_SETUP TSDU and accepting a D_ACK TSDU, when the IUT receives a D_REJECT TSDU with the cause « network event », it sends a U_EMPTY TSDU and enters the IDLE state.</p>
----------------------------------	---

### 6.3.3.3 Emergency Situation Indication and Response

TP/APPLI/CC/NS/NVS/E/BV/ESIR-01	<p><b>Reference:</b> PAS 0001-3-1 [1], subclauses 5.6.5  <b>Condition:</b> IUT supports Emergency Indication and Response  <b>Initial state:</b> IUT registered and in IDLE state. It is not engaged in an Emergency Open Channel.  <b>Stimulus:</b> Incoming Emergency Indication.</p> <p>Verify that, when the IUT accepts a D_EMERGENCY_INDICATION TSDU with the field EmergencyType set to "Dispatch Acknowledge Crisis Open Channel", if the user accepts the information the IUT sends a U_EMERGENCY_ACK TSDU and stays in the IDLE state.</p>
---------------------------------	--

TP/APPLI/CC/NS/NVS/E/BV/ESIR-02	<p><b>Reference:</b> PAS 0001-3-1 [1], subclauses 5.6.5  <b>Condition:</b> IUT supports Emergency Indication and Response  <b>Initial state:</b> IUT registered and in IDLE state. It is not engaged in an Emergency Open Channel.  <b>Stimulus:</b> Incoming Emergency Indication.</p> <p>Verify that, when the IUT accepts a D_EMERGENCY_INDICATION TSDU with the field EmergencyType set to "Dispatch Acknowledge Crisis Open Channel", if the user rejects the information the IUT sends a U_EMERGENCY_NAK TSDU and stays in the IDLE state.</p>
---------------------------------	--

TP/APPLI/CC/NS/NVS/E/BV/ESIR-03	<p><b>Reference:</b> PAS 0001-3-1 [1], subclauses 5.6.5</p> <p><b>Condition:</b> IUT supports Emergency Indication and Response</p> <p><b>Initial state:</b> IUT registered and in IDLE state. It is not engaged in an Emergency Open Channel.</p> <p><b>Stimulus:</b> Incoming Emergency Indication.</p> <p>Verify that, when the IUT accepts a D_EMERGENCY_INDICATION TSDU with the field EmergencyType set to "Dispatch Emergency Private Call", if the user accepts the information the IUT initiates an outgoing call with the "Emergency Priority", it sends a U_CALL_SETUP TSDU with the priority field set to "emergency", accepts a D_ACK TSDU, a D_CALL_ALERT TSDU, a D_CALL_CONNECT TSDU, sends a U_CALL_CONNECT TSDU, finally accepts a D_CALL_START TSDU, and enters the CONVERSATION state.</p>
---------------------------------	---

#### 6.3.3.4 Emergency Participation

TP/APPLI/CC/NS/NVS/E/BV/EP-01	<p><b>Reference:</b> PAS 0001-3-1 [1], subclauses 5.6.9</p> <p><b>Condition:</b> IUT supports call in Emergency Open Channel mode.</p> <p><b>Initial state:</b> IUT in IDLE state.</p> <p><b>Stimulus:</b> Incoming Group List.</p> <p>Verify that, when the IUT accepts a D_GROUP_LIST TSDU with an emergency open channel, it enters the ECH_PARTICIPANT_ON_CCH state if the user selects the Emergency Open Channel communication.</p>
-------------------------------	---

TP/APPLI/CC/NS/NVS/E/BV/EP-02	<p><b>Reference:</b> PAS 0001-3-1 [1], subclauses 5.6.9</p> <p><b>Condition:</b> IUT supports call in Emergency Open Channel mode.</p> <p><b>Initial state:</b> IUT in IDLE state.</p> <p><b>Stimulus:</b> Incoming Emergency Notification.</p> <p>Verify that, when the IUT accepts a D_EMERGENCY_NOTIFICATION TSDU, if the user selects the Emergency Open Channel Communication before T752 expires, it enters the ECH_PARTICIPANT_ON_CCH state.</p>
-------------------------------	---



TP/APPLI/CC/NS/NVS/E/BV/EP-03	<p><b>Reference:</b> PAS 0001-3-1 [1], subclauses 5.6.9  <b>Condition:</b> IUT supports call in Emergency Open Channel mode.  <b>Initial state:</b> IUT in IDLE state.  <b>Stimulus:</b> Incoming Emergency Notification.</p> <p>Verify that, when the IUT accepts 4 D_EMERGENCY_NOTIFICATION TSDU, if the user selects the Emergency Open Channel Communication before T752 expires it enters the ECH_PARTICIPANT_ON_CCH state.</p>
-------------------------------	--

TP/APPLI/CC/NS/NVS/E/BV/EP-04	<p><b>Reference:</b> PAS 0001-3-1 [1], subclauses 5.6.9  <b>Condition:</b> IUT supports call in Emergency Open Channel mode.  <b>Initial state:</b> IUT in IDLE state.  <b>Stimulus:</b> Incoming Emergency Notification.</p> <p>Verify that, when the IUT accepts a D_EMERGENCY_NOTIFICATION TSDU and a D_GROUP_LIST TSDU, if the user selects the Emergency Open Channel Communication it enters the ECH_PARTICIPANT_ON_CCH state.</p>
-------------------------------	--

TP/APPLI/CC/NS/NVS/E/BV/EP-05	<p><b>Reference:</b> PAS 0001-3-1 [1], subclauses 5.6.9  <b>Condition:</b> IUT supports call in Emergency Open Channel mode.  <b>Initial state:</b> IUT in IDLE state.  <b>Stimulus:</b> Incoming Emergency Notification.</p> <p>Verify that, when the IUT accepts a D_GROUP_LIST TSDU, if the user selects the Emergency Open Channel Communication before T752 expires it enters the ECH_PARTICIPANT_ON_CCH state.</p>
-------------------------------	--

TP/APPLI/CC/NS/NVS/E/BV/EP-06	<p><b>Reference:</b> PAS 0001-3-1 [1], subclauses 5.6.9</p> <p><b>Condition:</b> IUT in access controled mode. RT organisation supports dispatch acknowledge Crisis Open Channel Setup</p> <p><b>Initial state:</b> IUT registered and in IDLE state.</p> <p><b>Stimulus:</b> Incoming Emergency Notification.</p> <p>Verify that, when the IUT initiates an Emergency request, it sends a U_EMERGENCY_REQ TSDU, accepts a D_ACK TSDU and a D_AUTHENTICATION TSDU, sends a U_AUTHENTICATION TSDU, accepts a D_AUTHORISATION TSDU and a D_EMERGENCY_ACK TSDU, and finally sends a U_EMPTY TSDU.</p> <p>Then verify that, when the IUT accepts a D_EMERGENCY_NOTIFICATION TSDU, if the user selects the Emergency Open Channel Communication before T752 expires it enters the ECH_PARTICIPANT_ON_CCH state.</p>
-------------------------------	--

TP/APPLI/CC/NS/NVS/E/BV/EP-07	<p><b>Reference:</b> PAS 0001-3-1 [1], subclauses 5.6.9</p> <p><b>Condition:</b> IUT in access controled mode. RT organisation supports dispatch acknowledge Crisis Open Channel Setup</p> <p><b>Initial state:</b> IUT registered and in IDLE state</p> <p><b>Stimulus:</b> Incoming Emergency Notification.</p> <p>Verify that, when the IUT initiates an Emergency request, it sends a U_EMERGENCY_REQ TSDU, accepts a D_ACK TSDU and a D_AUTHENTICATION TSDU, sends a U_AUTHENTICATION TSDU, accepts a D_AUTHORISATION TSDU and a D_EMERGENCY_ACK TSDU, and finally sends a U_EMPTY TSDU.</p> <p>Verify that, when the IUT accepts 4 D_EMERGENCY_NOTIFICATION TSDU, if the user selects the Emergency Open Channel Communication before T752 expires it enters the ECH_PARTICIPANT_ON_CCH state.</p>
-------------------------------	--

TP/APPLI/CC/NS/NVS/E/BV/EP-08	<p><b>Reference:</b> PAS 0001-3-1 [1], subclauses 5.6.9</p> <p><b>Condition:</b> IUT in access controlled mode. RT organisation supports dispatch acknowledge Crisis Open Channel Setup</p> <p><b>Initial state:</b> IUT registered and in IDLE state.</p> <p><b>Stimulus:</b> Incoming Emergency Notification.</p> <p>Verify that, when the IUT initiates an Emergency request, it sends a U_EMERGENCY_REQ TSDU, accepts a D_ACK TSDU and a D_AUTHENTICATION TSDU, sends a U_AUTHENTICATION TSDU, accepts a D_AUTHORIZATION TSDU and a D_EMERGENCY_ACK TSDU, and finally sends a U_EMPTY TSDU.</p> <p>Verify that, when the IUT accepts a D_EMERGENCY_NOTIFICATION TSDU and a D_GROUP_LIST TSDU, if the user selects the Emergency Open Channel Communication before T752 expires it enters the ECH_PARTICIPANT_ON_CCH state.</p>
-------------------------------	--

### 6.3.3.5 Emergency Transmission

TP/APPLI/CC/NS/NVS/E/BV/ET-01	<p><b>Reference:</b> PAS 0001-3-1 [1], subclauses 5.6.11</p> <p><b>Condition:</b> IUT supports emergency participation.</p> <p><b>Initial state:</b> IUT in ECH_PARTICIPANT_ON_CCH state</p> <p><b>Stimulus:</b> Emergency transmission from ECH_PARTICIPANT_ON_CCH state</p> <p>Verify that, when the IUT receives a D_ECH_ACTIVATION TSDU, it enters the ECH_PARTICIPANT_ON_TCH state.</p>
-------------------------------	--

TP/APPLI/CC/NS/NVS/E/BV/ET-02	<p><b>Reference:</b> PAS 0001-3-1 [1], subclauses 5.6.10.1</p> <p><b>Condition:</b> IUT supports emergency participation.</p> <p><b>Initial state:</b> IUT in ECH_PARTICIPANT_ON_CCH state</p> <p><b>Stimulus:</b> Emergency transmission from ECH_PARTICIPANT_ON_CCH state</p> <p>Verify that, when the user initiates a communication request to talk in the Emergency Open Channel, the IUT sends a U_ECH_ACTIVATION TSDU, accepts a D_ECH_ACTIVATION TSDU, finally enters the ECH_PARTICIPANT_ON_TCH state.</p>
-------------------------------	---

TP/APPLI/CC/NS/NVS/E/BV/ET-03	<p><b>Reference:</b> PAS 0001-3-1 [1], subclauses 5.6.10.3</p> <p><b>Condition:</b> IUT supports emergency participation.</p> <p><b>Initial state:</b> IUT in ECH_PARTICIPANT_ON_CCH state</p> <p><b>Stimulus:</b> Emergency transmission from ECH_PARTICIPANT_ON_CCH state</p> <p>Verify that, after sending a U_ECH_ACTIVATION TSDU, when the IUT accepts a D_ECH_REJECT TSDU with the cause «lack of resources», it does not enter the ECH_PARTICIPANT_ON_TCH state.</p>
-------------------------------	---

TP/APPLI/CC/NS/NVS/E/BV/ET-04	<p><b>Reference:</b> PAS 0001-3-1 [1], subclauses 5.6.10.3  <b>Condition:</b> IUT supports emergency participation.  <b>Initial state:</b> IUT in ECH_PARTICIPANT_ON_CCH state  <b>Stimulus:</b> Emergency transmission from ECH_PARTICIPANT_ON_CCH state</p> <p>Verify that, after sending a U_ECH_ACTIVATION TSDU, when the IUT accepts a D_ECH_REJECT TSDU with the cause « normal », it does not enter the ECH_PARTICIPANT_ON_TCH state.</p>
TP/APPLI/CC/NS/NVS/E/BV/ET-05	<p><b>Reference:</b> PAS 0001-3-1 [1], subclauses 5.6.10  <b>Condition:</b> IUT supports emergency participation.  <b>Initial state:</b> IUT in ECH_PARTICIPANT_ON_CCH state  <b>Stimulus:</b> Emergency transmission from ECH_PARTICIPANT_ON_CCH state</p> <p>Verify that, when the IUT accepts a D_ECH_ACTIVATION TSDU, a D_GROUP_IDLE TSDU with the cause « voice inactivity », it leaves the ECH_PARTICIPANT_ON_CCH state,</p>
TP/APPLI/CC/NS/NVS/E/BV/ET-06	<p><b>Reference:</b> PAS 0001-3-1 [1], subclauses 5.6.10  <b>Condition:</b> IUT supports emergency participation.  <b>Initial state:</b> IUT in ECH_PARTICIPANT_ON_CCH state  <b>Stimulus:</b> Incoming Ech Activation.</p> <p>Verify that, when the IUT accepts a D_ECH_ACTIVATION TSDU, D_GROUP_IDLE TSDU with the cause « activation time-out », it leaves the ECH_PARTICIPANT_ON_CCH state.</p>

TP/APPLI/CC/NS/NVS/E/BV/ET-07	<p><b>Reference:</b> PAS 0001-3-1 [1], subclauses 5.6.16  <b>Condition:</b> IUT supports emergency participation.  <b>Initial state:</b> IUT in ECH_PARTICIPANT_ON_CCH state  <b>Stimulus:</b> Incoming Ech Activation.</p> <p>Verify that, when the IUT accepts a D_ECH_ACTIVATION TSDU, a D_GROUP_END TSDU with the cause « coverage not guaranteed », it leaves the ECH_PARTICIPANT_ON_CCH state.</p>
TP/APPLI/CC/NS/NVS/E/BV/ET-08	<p><b>Reference:</b> PAS 0001-3-1 [1], subclauses 5.6.16  <b>Condition:</b> IUT supports emergency participation.  <b>Initial state:</b> IUT in ECH_PARTICIPANT_ON_CCH state  <b>Stimulus:</b> Incoming Ech Activation.</p> <p>Verify that, when the IUT accepts a D_ECH_ACTIVATION TSDU, a D_GROUP_END TSDU with the cause « open channel duration time-out », it leaves the ECH_PARTICIPANT_ON_CCH state.</p>
TP/APPLI/CC/NS/NVS/E/BV/ET-09	<p><b>Reference:</b> PAS 0001-3-1 [1], subclauses 5.6.16  <b>Condition:</b> IUT supports emergency participation.  <b>Initial state:</b> IUT in ECH_PARTICIPANT_ON_CCH state  <b>Stimulus:</b> Incoming Ech Activation.</p> <p>Verify that, when the IUT accepts a D_ECH_ACTIVATION TSDU, a D_GROUP_END TSDU with the cause « normal », it leaves the ECH_PARTICIPANT_ON_CCH state.</p>
TP/APPLI/CC/NS/NVS/E/BV/ET-10	<p><b>Reference:</b> PAS 0001-3-1 [1], subclauses 5.6.16  <b>Condition:</b> IUT supports emergency participation.  <b>Initial state:</b> IUT in ECH_PARTICIPANT_ON_CCH state  <b>Stimulus:</b> Incoming Ech Activation.</p> <p>Verify that, when the IUT accepts a D_ECH_ACTIVATION TSDU, a D_GROUP_END TSDU with the cause « operator decision », it leaves the ECH_PARTICIPANT_ON_CCH state.</p>

## 6.3.3.6 Emergency Open Channel release

TP/APPLI/CC/NS/NVS/E/BV/ECHR-01	<p><b>Reference:</b> PAS 0001-3-1 [1], subclauses 5.6.13.1</p> <p><b>Condition:</b> IUT supports Emergency Open-Channel Release</p> <p><b>Initial state:</b> IUT registered and in IDLE state</p> <p><b>Stimulus:</b> Emergency Open-Channel Release from IDLE state</p> <p>Verify that, when the IUT initiates an Emergency Open Channel release, it sends a U_ECH_CLOSE TSDU, accepts a D_ACK TSDU and a D_AUTHENTICATION TSDU, sends a U_AUTHENTICATION TSDU, accepts a D_AUTHORISATION TSDU, finally sends a U_EMPTY TSDU and enters the IDLE state.</p>
TP/APPLI/CC/NS/NVS/E/BV/ECHR-02	<p><b>Reference:</b> PAS 0001-3-1 [1], subclauses 5.6.13.2</p> <p><b>Condition:</b> IUT supports Emergency Open-Channel Release</p> <p><b>Initial state:</b> IUT registered and in IDLE state</p> <p><b>Stimulus:</b> Emergency Open-Channel Release from IDLE state</p> <p>Verify that, after initiating an Emergency Open Channel release, sending a U_ECH_CLOSE TSDU and accepting a D_ACK TSDU, when the IUT cancels the release, it sends a U_ABORT TSDU with the cause « cleared by user », receives a D_EMPTY TSDU and enters the IDLE state.</p>
TP/APPLI/CC/NS/NVS/E/BV/ECHR-03	<p><b>Reference:</b> PAS 0001-3-1 [1], subclauses 5.6.13.2</p> <p><b>Condition:</b> IUT supports Emergency Open-Channel Release</p> <p><b>Initial state:</b> IUT registered and in IDLE state</p> <p><b>Stimulus:</b> Emergency Open-Channel Release from IDLE state</p> <p>Verify that, after initiating an Emergency Open Channel release, sending a U_ECH_CLOSE TSDU, accepting a D_ACK TSDU and a D_AUTHENTICATION TSD and sending a U_AUTHENTICATION TSDU, when the IUT cancels the release, it sends a U_EMPTY TSDU and enters the IDLE state.</p>

TP/APPLI/CC/NS/NVS/E/BV/ECHR-04	<p><b>Reference:</b> PAS 0001-3-1 [1], subclauses 5.6.13.3</p> <p><b>Condition:</b> IUT supports Emergency Open-Channel Release</p> <p><b>Initial state:</b> IUT registered and in IDLE state</p> <p><b>Stimulus:</b> Emergency Open-Channel Release from IDLE state</p> <p>Verify that, after initiating an Emergency Open Channel release, sending a U_ECH_CLOSE TSDU and accepting a D_ACK TSDU, when the IUT receives a D_REFUSAL TSDU with the cause « service barred calling party », it sends a U_EMPTY TSDU and enters the IDLE state.</p>
TP/APPLI/CC/NS/NVS/E/BV/ECHR-05	<p><b>Reference:</b> PAS 0001-3-1 [1], subclauses 5.6.13.3</p> <p><b>Condition:</b> IUT supports Emergency Open-Channel Release</p> <p><b>Initial state:</b> IUT registered and in IDLE state</p> <p><b>Stimulus:</b> Emergency Open-Channel Release from IDLE state</p> <p>Verify that, after initiating an Emergency Open Channel release and sending a U_ECH_CLOSE TSDU, when the IUT receives a D_REFUSAL TSDU with the cause « out of coverage cell », it sends a U_EMPTY TSDU and enters the IDLE state.</p>
TP/APPLI/CC/NS/NVS/E/BV/ECHR-06	<p><b>Reference:</b> PAS 0001-3-1 [1], subclauses 5.6.13.3</p> <p><b>Condition:</b> IUT supports Emergency Open-Channel Release</p> <p><b>Initial state:</b> IUT registered and in IDLE state</p> <p><b>Stimulus:</b> Emergency Open-Channel Release from IDLE state</p> <p>Verify that, after initiating an Emergency Open Channel release, sending a U_ECH_CLOSE TSDU and accepting a D_ACK TSDU, when the IUT receives a D_REFUSAL TSDU with the cause « unknown open channel », it sends a U_EMPTY TSDU and enters the IDLE state.</p>

TP/APPLI/CC/NS/NVS/E/BV/ECHR-07	<p><b>Reference:</b> PAS 0001-3-1 [1], subclauses 5.6.13.3  <b>Condition:</b> IUT supports Emergency Open-Channel Release  <b>Initial state:</b> IUT registered and in IDLE state  <b>Stimulus:</b> Emergency Open-Channel Release from IDLE state</p> <p>Verify that, after initiating an Emergency Open Channel release, sending a U_ECH_CLOSE TSDU and accepting a D_ACK TSDU, when the IUT receives a D_REJECT TSDU with the cause « network event », it sends a U_EMPTY TSDU and enters the IDLE state.</p>
---------------------------------	--

TP/APPLI/CC/NS/NVS/E/BV/ECHR-08	<p><b>Reference:</b> PAS 0001-3-1 [1], subclauses 5.6.13.3  <b>Condition:</b> IUT supports Emergency Open-Channel Release  <b>Initial state:</b> IUT registered and in IDLE state  <b>Stimulus:</b> Emergency Open-Channel Release from IDLE state</p> <p>Verify that, after initiating an Emergency Open Channel release, sending a U_ECH_CLOSE TSDU, accepting a D_ACK TSDU and a D_AUTHENTICATION TSDU and sending a U_AUTHENTICATION TSDU, when the IUT receives a D_REJECT TSDU with the cause « unreachable open channel master », it sends a U_EMPTY TSDU and enters the IDLE state.</p>
---------------------------------	---

#### 6.3.4 Timers tests

TP/APPLI/CC/NS/NVS/E/TI-01	<p><b>Reference:</b> PAS 0001-3-1 [1], subclauses 5.6.7  <b>Condition:</b> IUT supports Emergency Open-Channel Setup  <b>Initial state:</b> IUT registered and in IDLE state  <b>Stimulus:</b> Emergency Open-Channel Setup from IDLE state</p> <p>Verify that, after initiating an Emergency Open Channel setup and sending a U_ECH_SETUP TSDU, the IUT sets a timer T750. When T750 expires, the IUT sends a U_ABORT TSDU with the cause « application event », receives a D_EMPTY TSDU and enters the IDLE state.</p>
----------------------------	--

TP/APPLI/CC/NS/NVS/E/TI-02	<p><b>Reference:</b> PAS 0001-3-1 [1], subclauses 5.6.7  <b>Condition:</b> IUT supports Emergency Open-Channel Setup  <b>Initial state:</b> IUT registered and in IDLE state  <b>Stimulus:</b> Emergency Open-Channel Setup from IDLE state</p> <p>Verify that, after initiating an Emergency Open Channel setup and sending a U_ECH_SETUP TSDU, the IUT sets a timer T750. After accepting a D_ACK TSDU, when T750 expires, the IUT sends a U_ABORT TSDU with the cause « application event », receives a D_EMPTY TSDU and enters the IDLE state.</p>
----------------------------	--



TP/APPLI/CC/NS/NVS/E/TI-03	<p><b>Reference:</b> PAS 0001-3-1 [1], subclauses 5.6.7  <b>Condition:</b> IUT supports Emergency Open-Channel Setup  <b>Initial state:</b> IUT registered and in IDLE state  <b>Stimulus:</b> Emergency Open-Channel Setup from IDLE state</p> <p>Verify that, after initiating an Emergency Open Channel setup and sending a U_ECH_SETUP TSDU, the IUT sets a timer T750. After accepting a D_ACK TSDU and a D_AUTHENTICATION TSDU and then sending a U_AUTHENTICATION TSDU, when T750 expires, the IUT sends a U_EMPTY TSDU and enters the IDLE state.</p>
TP/APPLI/CC/NS/NVS/E/TI-04	<p><b>Reference:</b> PAS 0001-3-1 [1], subclauses 5.6.2, 5.6.3  <b>Condition:</b> IUT supports Remote Emergency Open-channel Setup  <b>Initial state:</b> IUT registered and in IDLE state  <b>Stimulus:</b> Emergency Signaling from IDLE state</p> <p>Verify that, after initiating an Emergency request and sending a U_SHORT_DATA TSDU, the IUT sets a timer T757. When T757 expires, the IUT enters the IDLE state.</p>
TP/APPLI/CC/NS/NVS/E/TI-05	<p><b>Reference:</b> PAS 0001-3-1 [1], subclauses 5.6.4  <b>Condition:</b> IUT in access controled mode.  <b>Initial state:</b> IUT registered and in IDLE state  <b>Stimulus:</b> Emergency Signaling from IDLE state</p> <p>Verify that, after initiating an Emergency request and sending a U_EMERGENCY_REQ TSDU, the IUT sets a timer T75A. When T75A expires, the IUT enters the IDLE state.</p>
TP/APPLI/CC/NS/NVS/E/TI-06	<p><b>Reference:</b> PAS 0001-3-1 [1], subclauses 5.6.4  <b>Condition:</b> IUT in access controled mode.  <b>Initial state:</b> IUT registered and in IDLE state  <b>Stimulus:</b> Emergency Signaling from IDLE state</p> <p>Verify that, after initiating an Emergency request and sending a U_EMERGENCY_REQ TSDU, the IUT sets a timer T75A. After accepting a D_ACK TSDU, when T75A expires, the IUT enters the IDLE state.</p>

TP/APPLI/CC/NS/NVS/E/TI-07	<p><b>Reference:</b> PAS 0001-3-1 [1], subclauses 5.6.4  <b>Condition:</b> IUT in access controled mode.  <b>Initial state:</b> IUT registered and in IDLE state  <b>Stimulus:</b> Emergency Signaling from IDLE state</p> <p>Verify that, after initiating an Emergency request and sending a U_EMERGENCY_REQ TSDU, the IUT sets a timer T75A. After accepting a D_ACK TSDU and a D_AUTHENTICATION TSDU and then sending a U_AUTHENTICATION TSDU, when T75A expires, the IUT enters the IDLE state.</p>
TP/APPLI/CC/NS/NVS/E/TI-08	<p><b>Reference:</b> PAS 0001-3-1 [1], subclauses 5.6.4  <b>Condition:</b> IUT in access controled mode.  <b>Initial state:</b> IUT registered and in IDLE state  <b>Stimulus:</b> Emergency Signaling from IDLE state</p> <p>Verify that, after initiating an Emergency request and sending a U_EMERGENCY_REQ TSDU, the IUT sets a timer T75A. After accepting a D_ACK TSDU and a D_AUTHENTICATION TSDU, sending a U_AUTHENTICATION TSDU and accepting a D_AUTHORISATION TSDU, when T75A expires, the IUT enters the IDLE state.</p>
TP/APPLI/CC/NS/NVS/E/TI-09	<p><b>Reference:</b> PAS 0001-3-1 [1], subclauses 5.6.4.1  <b>Condition</b> IUT in access controled mode.  <b>Initial state:</b> IUT registered and in IDLE state  <b>Stimulus:</b> Emergency Signaling from IDLE state</p> <p>Verify that, after initiating an Emergency request, sending a U_EMERGENCY_REQ TSDU, accepting a D_ACK TSDU and a D_AUTHENTICATION TSDU, sending a U_AUTHENTICATION TSDU, accepting a D_AUTHORISATION TSDU and a D_EMERGENCY_ACK TSDU, the IUT sets a timer T75C. After sending a U_EMPTY TSDU, when T75C expires, the IUT enters the IDLE state.</p>

TP/APPLI/CC/NS/NVS/E/TI-10	<p><b>Reference:</b> PAS 0001-3-1 [1], subclauses 5.6.4.1</p> <p><b>Condition:</b> IUT in access controlled mode. RT organisation supports dispatch acknowledge Crisis Open Channel Setup or automatic Crisis Open Channel Setup.</p> <p><b>Initial state:</b> IUT registered and in IDLE state</p> <p><b>Stimulus:</b> Emergency Signaling from IDLE state</p> <p>Verify that, after initiating an Emergency request, sending a U_EMERGENCY_REQ TSDU, accepting a D_ACK TSDU and a D_AUTHENTICATION TSDU, sending a U_AUTHENTICATION TSDU, accepting a D_AUTHORISATION TSDU and a D_EMERGENCY_ACK TSDU, sending a U_EMPTY TSDU and then accepting a D_CRISIS_NOTIFICATION TSDU, the IUT sets a timer T75D. When T75D expires, the IUT enters the IDLE state.</p>
TP/APPLI/CC/NS/NVS/E/TI-11	<p><b>Reference:</b> PAS 0001-3-1 [1], subclauses 5.6.4.1</p> <p><b>Condition:</b> IUT in access controlled mode. RT organisation supports dispatch acknowledge Crisis Open Channel Setup or automatic Crisis Open Channel Setup.</p> <p><b>Initial state:</b> IUT registered and in IDLE state</p> <p><b>Stimulus:</b> Emergency Signaling from IDLE state</p> <p>Verify that, after initiating an Emergency request, sending a U_EMERGENCY_REQ TSDU, accepting a D_ACK TSDU and a D_AUTHENTICATION TSDU, sending a U_AUTHENTICATION TSDU, accepting a D_AUTHORISATION TSDU and a D_EMERGENCY_ACK TSDU, sending a U_EMPTY TSDU and then accepting a D_EMERGENCY_NOTIFICATION TSDU, the IUT sets a timer T75D. When T75D expires, the IUT enters the IDLE state.</p>
TP/APPLI/CC/NS/NVS/E/TI-12	<p><b>Reference:</b> PAS 0001-3-1 [1], subclauses 5.6.10</p> <p><b>Condition:</b> IUT supports emergency participation.</p> <p><b>Initial state:</b> IUT in ECH_PARTICIPANT_ON_CCH state</p> <p><b>Stimulus:</b> Emergency transmission from ECH_PARTICIPANT_ON_CCH state</p> <p>Verify that, after a transmission request, the IUT sends a U_ECH_ACTIVATION TSDU and sets a timer T758. When T758 expires, the IUT does not enter the ECH_PARTICIPANT_ON_TCH state.</p>

TP/APPLI/CC/NS/NVS/E/TI-13	<p><b>Reference:</b> PAS 0001-3-1 [1], subclauses 5.6.13.2</p> <p><b>Condition:</b> IUT supports Emergency Open-Channel Release</p> <p><b>Initial state:</b> IUT registered and in IDLE state</p> <p><b>Stimulus:</b> Emergency Open Channel Release from IDLE state</p> <p>Verify that, after initiating an Emergency Open Channel release, sending a U_ECH_CLOSE TSDU and accepting a D_ACK TSDU, the IUT sets a timer T753. When T753 expires, the IUT sends a U_ABORT TSDU with the cause « application event », receives a D_EMPTY TSDU and enters the IDLE state.</p>
----------------------------	---

TP/APPLI/CC/NS/NVS/E/TI-14	<p><b>Reference:</b> PAS 0001-3-1 [1], subclauses 5.6.13.1</p> <p><b>Condition:</b> IUT supports Emergency Open-Channel Release</p> <p><b>Initial state:</b> IUT registered and in IDLE state</p> <p><b>Stimulus:</b> Emergency Open Channel Release from IDLE state</p> <p>Verify that, after initiating an Emergency Open Channel release, sending a U_ECH_CLOSE TSDU, accepting a D_ACK TSDU and a U_AUTHENTICATION TSDU and sending a U_AUTHENTICATION TSDU, the IUT sets a timer T754. When T754 expires, the IUT sends a U_EMPTY TSDU and enters the IDLE state.</p>
----------------------------	--

## 6.4 Data

Test group objective : to test the behaviour of the IUT, when operating in Data mode.

Condition : IUT supports Data communication.

### 6.4.1 Packet Mode Data Transfer

- TP/APPLI/D/PMDT/BV/UDT-01
- TP/APPLI/D/PMDT/BV/DDT-01

#### 6.4.1.1 Basic Interconnection tests

#### 6.4.1.2 Capability test

- TP/APPLI/D/PMDT/BV/UDT-01
- TP/APPLI/D/PMDT/BV/DDT-01

#### 6.4.1.3 Valid Behaviours tests

Test group objective : to test the valid behaviour of the IUT, when transferring data in packet mode.

Condition : IUT supports Packet Mode Data Transfer.

##### 6.4.1.3.1 Uplink Packet Mode Data Transfer

TP/APPLI/D/PMDT/BV/UDT-01	<p><b>Reference:</b> PAS 0001-3-1 [1], subclauses 5.7.2.2.2  <b>Condition:</b> IUT supports SDP Uplink Packet Mode Data Transfer on CCH  <b>Initial state:</b> IUT registered and in IDLE state  <b>Stimulus:</b> SDP Uplink Packet Mode Data Transfer from IDLE state</p> <p>Verify that, when the IUT initiates a SDP Uplink Packet Mode Data Transfer, it sends a U_DATA_REQUEST TSDU, accepts a D_ACK TSDU and a D_DATA_AUTHENTICATION TSDU, sends a U_AUTHENTICATION TSDU, accepts a D_CONNECT_CCH TSDU, sends a U_DATA_MSG_UP TSDU, finally accepts a D_DATA_END TSDU with the cause « terminal preemption » and enters the IDLE state.</p>
---------------------------	---

TP/APPLI/D/PMDT/BV/UDT-02	<p><b>Reference:</b> PAS 0001-3-1 [1], subclauses 5.7.2.2.2</p> <p><b>Condition:</b> IUT supports SDP Uplink Packet Mode Data Transfer on DCH</p> <p><b>Initial state:</b> IUT registered and in IDLE state</p> <p><b>Stimulus:</b> SDP Uplink Packet Mode Data Transfer from IDLE state</p> <p>Verify that, when the IUT initiates a SDP Uplink Packet Mode Data Transfer, it sends a U_DATA_REQUEST TSDU, accepts a D_ACK TSDU and a D_DATA_AUTHENTICATION TSDU, sends a U_AUTHENTICATION TSDU, accepts a D_CONNECT_DCH TSDU and a D_DCH_OPEN TSDU, sends a U_ACK TSDU and a U_DATA_MSG_UP TSDU, finally accepts a D_DATA_END TSDU with the cause «terminal preemption » and enters the IDLE state.</p>
TP/APPLI/D/PMDT/BV/UDT-03	<p><b>Reference:</b> PAS 0001-3-1 [1], subclauses 5.7.2.2.3</p> <p><b>Condition:</b> IUT supports SDP Uplink Packet Mode Data Transfer</p> <p><b>Initial state:</b> IUT registered and in IDLE state</p> <p><b>Stimulus:</b> Uplink Packet Mode Data Transfer from IDLE state</p> <p>Verify that, after initiating an Uplink Packet Mode Data Transfer, sending a U_DATA_REQUEST TSDU and accepting a D_ACK TSDU, when the IUT receives a D_REFUSAL TSDU with the cause «unknown calling party », it sends a U_EMPTY TSDU and enters the IDLE state.</p>
TP/APPLI/D/PMDT/BV/UDT-04	<p><b>Reference:</b> PAS 0001-3-1 [1], subclauses 5.7.2.2.3</p> <p><b>Condition:</b> IUT supports SDP Uplink Packet Mode Data Transfer</p> <p><b>Initial state:</b> IUT registered and in IDLE state</p> <p><b>Stimulus:</b> Uplink Packet Mode Data Transfer from IDLE state</p> <p>Verify that, after initiating an Uplink Packet Mode Data Transfer and sending a U_DATA_REQUEST TSDU, when the IUT receives a D_REFUSAL TSDU with the cause «service barred calling party », it sends a U_EMPTY TSDU and enters the IDLE state.</p>

TP/APPLI/D/PMDT/BV/UDT-05	<p><b>Reference:</b> PAS 0001-3-1 [1], subclauses 5.7.2.2.3  <b>Condition:</b> IUT supports SDP Uplink Packet Mode Data Transfer  <b>Initial state:</b> IUT registered and in IDLE state  <b>Stimulus:</b> Uplink Packet Mode Data Transfer from IDLE state</p> <p>Verify that, after initiating an Uplink Packet Mode Data Transfer, sending a U_DATA_REQUEST TSDU and accepting a D_ACK TSDU, when the IUT receives a D_REFUSAL TSDU with the cause « application type error », it sends a U_EMPTY TSDU and enters the IDLE state.</p>
TP/APPLI/D/PMDT/BV/UDT-06	<p><b>Reference:</b> PAS 0001-3-1 [1], subclauses 5.7.2.2.3  <b>Condition:</b> IUT supports SDP Uplink Packet Mode Data Transfer  <b>Initial state:</b> IUT registered and in IDLE state  <b>Stimulus:</b> Uplink Packet Mode Data Transfer from IDLE state</p> <p>Verify that, after initiating an Uplink Packet Mode Data Transfer, sending a U_DATA_REQUEST TSDU and accepting a D_ACK TSDU, when the IUT receives a D_REFUSAL TSDU with the cause « message length error », it sends a U_EMPTY TSDU and enters the IDLE state.</p>
TP/APPLI/D/PMDT/BV/UDT-07	<p><b>Reference:</b> PAS 0001-3-1 [1], subclauses 5.7.2.2.3  <b>Condition:</b> IUT supports SDP Uplink Packet Mode Data Transfer  <b>Initial state:</b> IUT registered and in IDLE state  <b>Stimulus:</b> Uplink Packet Mode Data Transfer from IDLE state</p> <p>Verify that, after initiating an Uplink Packet Mode Data Transfer, sending a U_DATA_REQUEST TSDU and accepting a D_ACK TSDU, when the IUT receives a D_REFUSAL TSDU with the cause « service not implemented », it sends a U_EMPTY TSDU and enters the IDLE state.</p>
TP/APPLI/D/PMDT/BV/UDT-08	<p><b>Reference:</b> PAS 0001-3-1 [1], subclauses 5.7.2.2.3  <b>Condition:</b> IUT supports SDP Uplink Packet Mode Data Transfer  <b>Initial state:</b> IUT registered and in IDLE state  <b>Stimulus:</b> Uplink Packet Mode Data Transfer from IDLE state</p> <p>Verify that, after initiating an Uplink Packet Mode Data Transfer, sending a U_DATA_REQUEST TSDU and accepting a D_ACK TSDU, when the IUT receives a D_REJECT TSDU with the cause « lack of ressource », it sends a U_EMPTY TSDU and enters the IDLE state.</p>

## 6.4.1.3.2 Downlink Packet Mode Data Transfer

TP/APPLI/D/PMDT/BV/DDT-01	<p><b>Reference:</b> PAS 0001-3-1 [1], subclauses 5.7.2.3.2</p> <p><b>Condition:</b> IUT supports SDP Downlink Packet Mode Data Transfer on CCH</p> <p><b>Initial state:</b> IUT registered and in IDLE state</p> <p><b>Stimulus:</b> SDP Downlink Packet Mode Data Transfer</p> <p>Verify that, when the IUT receives a D_DATA_REQUEST TSDU, it sends a U_DATA_DOWN_ACCEPT TSDU, accepts a D_CONNECT_CCH TSDU and a D_DATA_MSG_DOWN TSDU, finally accepts a D_DATA_END TSDU with the cause «terminal preemption » and enters the IDLE state.</p>
TP/APPLI/D/PMDT/BV/DDT-02	<p><b>Reference:</b> PAS 0001-3-1 [1], subclauses 5.7.2.3.2</p> <p><b>Condition:</b> IUT supports SDP Downlink Packet Mode Data Transfer on DCH</p> <p><b>Initial state:</b> IUT registered and in IDLE state</p> <p><b>Stimulus:</b> SDP Downlink Packet Mode Data Transfer from IDLE state</p> <p>Verify that, when the IUT receives a D_DATA_REQUEST TSDU, it sends a U_DATA_DOWN_ACCEPT TSDU, accepts a D_CONNECT_DCH TSDU and a D_DCH_OPEN TSDU, sends a U_ACK TSDU, accepts a D_DATA_MSG_DOWN TSDU, finally accepts a D_DATA_END TSDU with the cause «terminal preemption » and enters the IDLE state.</p>
TP/APPLI/D/PMDT/BV/DDT-03	<p><b>Reference:</b> PAS 0001-3-1 [1], subclauses 5.7.2.3.3</p> <p><b>Condition:</b> IUT supports SDP Downlink Packet Mode Data Transfer.</p> <p><b>Initial state:</b> IUT registered and in IDLE state. No UDT is connected to it.</p> <p><b>Stimulus:</b> Downlink Packet Mode Data Transfer</p> <p>Verify that, after receiving a D_DATA_REQUEST TSDU, the IUT sends U_ABORT TSDU with the cause « UDT not connected », accepts a D_EMPTY TSDU and enters the IDLE state.</p>



TP/APPLI/D/PMDT/BV/DDT-04	<p><b>Reference:</b> PAS 0001-3-1 [1], subclauses 5.7.2.1, 5.7.2.3.3</p> <p><b>Condition:</b> IUT supports SDP Downlink Packet Mode Data Transfer.</p> <p><b>Initial state:</b> IUT in CONVERSATION state in a private call.</p> <p><b>Stimulus:</b> Downlink Transmission Request in CONVERSATION state</p> <p>Verify that, after receiving a D_HOOK_INVITATION TSDU with the cause «downlink transmission» in the CONVERSATION state, when the user quits the private call, the IUT sends a U_TERMINATE TSDU with the cause «normal», accepts a D_EMPTY TSDU and finally enters the IDLE state.</p>
---------------------------	---

#### 6.4.1.4 Timers tests

TP/APPLI/D/PMDT/TI-01	<p><b>Reference:</b> PAS 0001-3-1 [1], subclauses 5.7.2.2.4</p> <p><b>Condition:</b> IUT supports SDP Uplink Transmission Request</p> <p><b>Initial state:</b> IUT registered and in IDLE state</p> <p><b>Stimulus:</b> Uplink Transmission Request from IDLE state</p> <p>Verify that, after initiating an Uplink Transmission request, sending a U_DATA_REQUEST TSDU and accepting a D_ACK TSDU, the IUT sets a timer T780. When T780 expires, the IUT sends a U_ABORT TSDU with the cause «application event», receives a D_EMPTY TSDU and enters the IDLE state.</p>
-----------------------	--

TP/APPLI/D/PMDT/TI-02	<p><b>Reference:</b> PAS 0001-3-1 [1], subclauses 5.7.2.2.5, 5.7.2.2.6</p> <p><b>Condition:</b> IUT supports SDP Uplink Transmission Request</p> <p><b>Initial state:</b> IUT registered and in IDLE state</p> <p><b>Stimulus:</b> Uplink Transmission Request from IDLE state</p> <p>Verify that, after initiating an Uplink Transmission request, sending a U_DATA_REQUEST TSDU, accepting a D_ACK TSDU, accepting a D_DATA_AUTHENTICATION TSDU, sending a U_AUTHENTICATION TSDU, the IUT sets a timer T787. When T787 expires, the IUT sends a U_ABORT TSDU with the cause «application event», receives a D_EMPTY TSDU and enters the IDLE state.</p>
-----------------------	---

TP/APPLI/D/PMDT/TI-03	<p><b>Reference:</b> PAS 0001-3-1 [1], subclauses 5.7.2.3</p> <p><b>Condition:</b> IUT supports SDP Downlink Transmission Request</p> <p><b>Initial state:</b> IUT registered and in IDLE state.</p> <p><b>Stimulus:</b> Downlink Transmission Request from IDLE state</p> <p>Verify that, after receiving a Downlink Transmission request, accepting a D_DATA_REQUEST TSDU and sending a U_DATA_DOWN_ACCEPT TSDU, the IUT sets a timer T787. When T787 expires, the IUT sends a U_ABORT TSDU with the cause «application event»,</p>
-----------------------	---

	receives a D_EMPTY TSDU and enters the IDLE state.
--	--

## 6.4.2 Short Datagram Message Transmission

- TP/APPLI/D/SDMT/BV/SDR-01
- TP/APPLI/D/SDMT/BV/SDE-01

### 6.4.2.1 Basic Interconnection tests

- TP/APPLI/D/SDMT/BV/SDR-01
- TP/APPLI/D/SDMT/BV/SDE-01

### 6.4.2.2 Capability tests

### 6.4.2.3 Valid Behaviours tests

Test group objective : to test the valid behaviour of the IUT, when transmitting short datagram messages in Data mode.

Condition : IUT supports Short Datagram Message Transmission.

#### 6.4.2.3.1 Short Datagram Reception

TP/APPLI/D/SDMT/BV/SDR-01	<p><b>Reference:</b> PAS 0001-3-1 [1], subclauses 5.7.3.2  <b>Condition:</b> IUT supports Short Datagram Reception  <b>Initial state:</b> IUT registered and in IDLE state  <b>Stimulus:</b> Short Datagram Reception</p> <p>Verify that the IUT accepts a D_SHORT_DATA TSDU on CCH and stays in the IDLE state.</p>
---------------------------	--

TP/APPLI/D/SDMT/BV/SDR-02	<p><b>Reference:</b> PAS 0001-3-1 [1], subclauses 5.7.3.2  <b>Condition:</b> IUT supports Short Datagram Reception  <b>Initial state:</b> IUT registered and in CONVERSATION state  <b>Stimulus:</b> Short Datagram Reception</p> <p>Verify that the IUT accepts a D_SHORT_DATA TSDU on TCH and stays in the CONVERSATION state.</p>
---------------------------	--

#### 6.4.2.3.2 Short Datagram Emission

TP/APPLI/D/SDMT/BV/SDE-01	<p><b>Reference:</b> PAS 0001-3-1 [1], subclauses 5.7.3.1.1  <b>Condition:</b> IUT supports Short Datagram Sending  <b>Initial state:</b> IUT registered and in IDLE state  <b>Stimulus:</b> Short Datagram Emission</p> <p>Verify that, when the IUT initiates a Short Datagram Transmission, it sends a U_SHORT_DATA TSDU and stays in the IDLE state.</p>
---------------------------	--

### 6.4.3 Broadcast Message Service

- TP/APPLI/D/BMS/BV/B-01
- TP/APPLI/D/BMS/BV/BN-01

#### 6.4.3.1 Basic Interconnection tests

- TP/APPLI/D/BMS/BV/B-01
- TP/APPLI/D/BMS/BV/BN-01

#### 6.4.3.2 Capability tests

#### 6.4.3.3 Valid Behaviours tests

Test group objective : to test the capabilities of the IUT, when using broadcast message service.

Condition : IUT supports Broadcast Message Service.

##### 6.4.3.3.1 Broadcast without Notification Mode

TP/APPLI/D/BMS/BV/B-01	<b>Reference:</b> PAS 0001-3-1 [1], subclauses 5.7.4.2 <b>Condition:</b> IUT supports Broadcast without Notification Mode <b>Initial state:</b> IUT registered and in IDLE state <b>Stimulus:</b> Broadcast without Notification Mode.  Verify that the IUT accepts a D_BROADCAST TSDU and stays in the IDLE state.
------------------------	--

##### 6.4.3.3.2 Broadcast with Notification Mode

TP/APPLI/D/BMS/BV/BN-01	<b>Reference:</b> PAS 0001-3-1 [1], subclauses 5.7.5.2 <b>Condition:</b> IUT supports Broadcast with Notification Mode <b>Initial state:</b> IUT registered and in IDLE state <b>Stimulus:</b> Broadcast with Notification Mode  Verify that the IUT accepts a D_DATAGRAM_NOTIFY TSDU and a D_DATAGRAM TSDU and stays in the IDLE state.
-------------------------	---

## 6.5 Mobility Management

Test group objective : to test the behaviour of the IUT, when operating in Mobility Management mode.

Condition : IUT supports Mobility Management.

### 6.5.1 Basic Interconnection tests

- TP/APPLI/MM/BV/RE-01
- TP/APPLI/MM/BV/MD-01
- TP/APPLI/MM/BV/RS-01
- TP/APPLI/MM/BV/ATDT-01 & 03
- TP/APPLI/MM/BV/AF-01
- TP/APPLI/MM/BV/PP-01 & 03
- TP/APPLI/MM/BV/ID-01

### 6.5.2 Capability tests

- TP/APPLI/MM/BV/RE-01
- TP/APPLI/MM/BV/MD-01
- TP/APPLI/MM/BV/RS-01
- TP/APPLI/MM/BV/ATDT-01 & 03
- TP/APPLI/MM/BV/AF-01
- TP/APPLI/MM/BV/PP-01 & 03
- TP/APPLI/MM/BV/ID-01

### 6.5.3 Valid Behaviours tests

Test group objective : to test the capabilities of the IUT, when operating in Mobility Management mode.

#### 6.5.3.1 Registration

TP/APPLI/MM/BV/RE-01	<p><b>Reference:</b> PAS 0001-3-1 [1], subclauses 5.3.3.1 <b>Condition:</b> IUT supports registration procedure. <b>Initial state:</b> IUT not registered and in NOT REGISTERED state. <b>Stimulus:</b> TTI Assignment Emission.</p> <p>Verify that when the IUT accepts a D_TTI_ASSIGNEMENT TSDU with a valid TTI, it sends a U_REGISTRATION_REQ TSDU, accepts a D_ACK TSDU and a D_REGISTRATION_ACK TSDU, finally sends a U_EMPTY TSDU and enters the REGISTERED state.</p>
TP/APPLI/MM/BV/RE-02	<p><b>Reference:</b> PAS 0001-3-1 [1], subclauses 5.3.3.3 <b>Condition:</b> IUT supports registration procedure. <b>Initial state:</b> IUT not registered and in NOT REGISTERED state. <b>Stimulus:</b> TTI Assignment Emission.</p> <p>Verify that when the IUT accepts a D_TTI_ASSIGNEMENT TSDU with a valid TTI, it sends a U_REGISTRATION_REQ TSDU, accepts a D_ACK TSDU and a D_REGISTRATION_NAK TSDU with the cause « RT assigned to an attachement cell », finally sends a U_EMPTY TSDU and enters the NOT REGISTERED state.</p>
TP/APPLI/MM/BV/RE-03	<p><b>Reference:</b> PAS 0001-3-1 [1], subclauses 5.3.3.3 <b>Condition:</b> IUT supports registration procedure. <b>Initial state:</b> IUT not registered and in NOT REGISTERED state. <b>Stimulus:</b> TTI Assignment Emission.</p> <p>Verify that when the IUT accepts a D_TTI_ASSIGNEMENT TSDU with a valid TTI, it sends a U_REGISTRATION_REQ TSDU, accepts a D_ACK TSDU and a D_REGISTRATION_NAK TSDU with the cause « RT registration disabled », finally sends a U_EMPTY TSDU and enters the NOT REGISTERED state.</p>

TP/APPLI/MM/BV/RE-04	<p><b>Reference:</b> PAS 0001-3-1 [1], subclauses 5.3.3.3  <b>Condition:</b> IUT supports registration procedure.  <b>Initial state:</b> IUT not registered and in NOT REGISTERED state.  <b>Stimulus:</b> TTI Assignment Emission.</p> <p>Verify that when the IUT accepts a D_TTI_ASSIGNMENT TSDU with a valid TTI, it sends a U_REGISTRATION_REQ TSDU, accepts a D_ACK TSDU and a D_REGISTRATION_NAK TSDU with the cause « inconsistent RT », finally sends a U_EMPTY TSDU and enters the NOT REGISTERED state.</p>
TP/APPLI/MM/BV/RE-05	<p><b>Reference:</b> PAS 0001-3-1 [1], subclauses 5.3.3.3  <b>Condition:</b> IUT supports registration procedure.  <b>Initial state:</b> IUT not registered and in NOT REGISTERED state.  <b>Stimulus:</b> TTI Assignment Emission.</p> <p>Verify that when the IUT accepts a D_TTI_ASSIGNMENT TSDU with a valid TTI, it sends a U_REGISTRATION_REQ TSDU, accepts a D_ACK TSDU and a D_REGISTRATION_NAK TSDU with the cause « RSW saturation », finally sends a U_EMPTY TSDU and enters the NOT REGISTERED state.</p>
TP/APPLI/MM/BV/RE-06	<p><b>Reference:</b> PAS 0001-3-1 [1], subclauses 5.3.3.3  <b>Condition:</b> IUT supports registration procedure.  <b>Initial state:</b> IUT not registered and in NOT REGISTERED state.  <b>Stimulus:</b> TTI Assignment Emission.</p> <p>Verify that when the IUT accepts a D_TTI_ASSIGNMENT TSDU with a valid TTI, it sends a U_REGISTRATION_REQ TSDU, accepts a D_ACK TSDU and a D_REGISTRATION_NAK TSDU with the cause « RT registration filtered », finally sends a U_EMPTY TSDU and enters the NOT REGISTERED state.</p>
TP/APPLI/MM/BV/RE-07	<p><b>Reference:</b> PAS 0001-3-1 [1], subclauses 5.3.3.3  <b>Condition:</b> IUT supports registration procedure.  <b>Initial state:</b> IUT not registered and in NOT REGISTERED state.  <b>Stimulus:</b> TTI Assignment Emission.</p> <p>Verify that when the IUT accepts a D_TTI_ASSIGNMENT TSDU with a valid TTI, it sends a U_REGISTRATION_REQ TSDU, accepts a D_ACK TSDU and a D_REGISTRATION_NAK TSDU with the cause « unreachable HRSW », finally sends a U_EMPTY TSDU and enters the NOT REGISTERED state.</p>

TP/APPLI/MM/BV/RE-08	<p><b>Reference:</b> PAS 0001-3-1 [1], subclauses 5.3.5.2  <b>Condition:</b> IUT supports forced registering.  <b>Initial state:</b> IUT not registered and in IDLE state  <b>Stimulus:</b> forced registering</p> <p>Verify that, when the IUT accepts a D_FORCED_REGISTRATION TSDU it accepts a D_TTI_ASSIGNMENT TSDU with a valid TTI, sends a U_REGISTRATION_REQ TSDU, accepts a D_ACK TSDU and a D_REGISTRATION_ACK TSDU, finally sends a U_EMPTY TSDU and enters the REGISTERED state</p>
TP/APPLI/MM/BV/RE-09	<p><b>Reference:</b> PAS 0001-3-1 [1], subclauses 5.3.2.2, 5.1.2  <b>Condition:</b> experimental IUT supports registration procedure in an experimental cell.  <b>Initial state:</b> IUT not registered and in NOT REGISTERED state.  <b>Stimulus:</b> TTI Assignment Emission.</p> <p>Verify that after receiving a D_SYSTEM_INFO TSDU with the field cell category set to « experimental », accepting a D_TTI_ASSIGNMENT TSDU with a valid TTI, the IUT sends a U_REGISTRATION_REQ TSDU, accepts a D_ACK TSDU and a D_REGISTRATION_ACK TSDU, finally sends a U_EMPTY TSDU and enters the REGISTERED state.</p>
TP/APPLI/MM/BV/RE-10	<p><b>Reference:</b> PAS 0001-3-1 [1], subclauses 5.3.2.2, 5.1.2  <b>Condition:</b> operational IUT supports registration procedure in an operational cell.  <b>Initial state:</b> IUT not registered and in NOT REGISTERED state.  <b>Stimulus:</b> TTI Assignment Emission.</p> <p>Verify that after receiving a D_SYSTEM_INFO TSDU with the field cell category set to « operational », accepting a D_TTI_ASSIGNMENT TSDU with a valid TTI, the IUT sends a U_REGISTRATION_REQ TSDU, accepts a D_ACK TSDU and a D_REGISTRATION_ACK TSDU, finally sends a U_EMPTY TSDU and enters the REGISTERED state.</p>
TP/APPLI/MM/BV/RE-11	<p><b>Reference:</b> PAS 0001-3-1 [1], subclauses 5.3.2.2, 5.1.2  <b>Condition:</b> IUT supports registration procedure.  <b>Initial state:</b> IUT not registered and in IDLE state.  <b>Stimulus:</b> TTI Assignment Emission.</p> <p>Verify that after receiving a D_SYSTEM_INFO TSDU with the field cell identity different from the current RT cell identity, accepting a D_TTI_ASSIGNMENT TSDU with a valid TTI, the IUT sends a U_REGISTRATION_REQ TSDU, accepts a D_ACK TSDU and a D_REGISTRATION_ACK TSDU, finally sends a U_EMPTY TSDU and enters the REGISTERED state.</p>



TP/APPLI/MM/BV/RE-12	<p><b>Reference:</b> PAS 0001-3-1 [1], subclauses 5.3.2.2, 5.1.2  <b>Condition:</b> IUT supports registration procedure.  <b>Initial state:</b> IUT not registered and in IDLE state.  <b>Stimulus:</b> TTI Assignement Emission.</p> <p>Verify that after receiving a D_SYSTEM_INFO TSDU with the field access class inferior or equal to the RT registration class, accepting a D_TTI_ASSIGNEMENT TSDU with a valid TTI, the IUT sends a U_REGISTRATION_REQ TSDU, accepts a D_ACK TSDU and a D_REGISTRATION_ACK TSDU, finally sends a U_EMPTY TSDU and enters the REGISTERED state.</p>
----------------------	---

### 6.5.3.2 Minimum Dialogue

TP/APPLI/MM/BV/MD-01	<p><b>Reference:</b> PAS 0001-3-1 [1], subclauses 5.3.4.3  <b>Condition:</b> IUT supports location activity.  <b>Initial state:</b> IUT not registered and in NOT REGISTERED state.  <b>Stimulus:</b> TTI Assignement Emission.</p> <p>Verify that when the IUT accepts a D_TTI_ASSIGNEMENT TSDU with a valid TTI, it sends a U_REGISTRATION_REQ TSDU, accepts a D_ACK TSDU and a D_REGISTRATION_ACK TSDU, finally sends a U_EMPTY TSDU, and sets timer T730. Verify that when T730 expires, the IUT initiates a location activity, sending a U_LOCATION_ACTIVITY TSDU . It accepts a D_LOCATION_ACTIVITY_ACK TSDU, sends a U_EMPTY TSDU and enters the REGISTERED state.</p>
----------------------	---

TP/APPLI/MM/BV/MD-02	<p><b>Reference:</b> PAS 0001-3-1 [1], subclauses 5.3.4.3  <b>Condition:</b> IUT supports location activity.  <b>Initial state:</b> IUT not registered and in NOT REGISTERED state.  <b>Stimulus:</b> TTI Assignement Emission.</p> <p>Verify that when the IUT accepts a D_TTI_ASSIGNEMENT TSDU with a valid TTI, it sends a U_REGISTRATION_REQ TSDU, accepts a D_ACK TSDU and a D_REGISTRATION_ACK TSDU, finally sends a U_EMPTY TSDU, and sets timer T730. Verify that when T730 expires, the IUT initiates a location activity, sending a U_LOCATION_ACTIVITY TSDU. It accepts a D_REFUSAL TSDU with the cause « unknown calling party » sends a U_EMPTY TSDU and enters the NOT REGISTERED state.</p>
----------------------	--

### 6.5.3.3 Resynchronisation

TP/APPLI/MM/BV/RS-01	<p><b>Reference:</b> PAS 0001-3-1 [1], subclauses 5.2.2.3 <b>Condition:</b> IUT supports resynchronisation <b>Initial state:</b> IUT in IDLE state <b>Stimulus:</b> Insufficient TCH quality</p> <p>Verify that, because of an insufficient TCH quality, the IUT sends a U_EVENT_REPORT TSDU with the cause « insufficient TCH quality », accept a D_EMPTY TSDU and enters the IDLE state.</p>
----------------------	--

TP/APPLI/MM/BV/RS-02	<p><b>Reference:</b> PAS 0001-3-1 [1], subclauses 5.2.2.3 <b>Condition:</b> IUT supports resynchronisation <b>Initial state:</b> IUT registered and in IDLE state <b>Stimulus:</b> Power supply failure</p> <p>Verify that, because of a power supply failure, the IUT sends a U_ATTACH TSDU with the cause « power supply failure », then a U_EVENT_REPORT TSDU, finally accept a D_EMPTY TSDU and enters the IDLE state.</p>
----------------------	--

### 6.5.3.4 Attach-Detach

TP/APPLI/MM/BV/ATDT-01	<p><b>Reference:</b> PAS 0001-3-1 [1], subclauses 5.2.6.3 <b>Condition:</b> IUT supports detach procedure. <b>Initial state:</b> IUT is registered and in IDLE state. <b>Stimulus:</b> Switching OFF.</p> <p>Verify that, when the user switches it OFF, the IUT sends a U_DETACH TSDU with the cause « normal ».</p>
------------------------	---

TP/APPLI/MM/BV/ATDT-02	<p><b>Reference:</b> PAS 0001-3-1 [1], subclauses 5.2.5.3  <b>Condition:</b> IUT supports detach procedure.  <b>Initial state:</b> IUT registered and switched OFF.  <b>Stimulus:</b> Switching ON.</p> <p>Verify that, when the user switches it ON, the IUT sends a U_ATTACH TSDU with the cause « normal ».</p>
------------------------	--

TP/APPLI/MM/BV/ATDT-03	<p><b>Reference:</b> PAS 0001-3-1 [1], subclauses 5.2.5.3  <b>Condition:</b> IUT supports attach procedure.  <b>Initial state:</b> IUT registered and in IDLE state. A group communication is already selected.  <b>Stimulus:</b> selection of another group communication.</p> <p>Verify that, when the user initiates a group communication selection, the IUT sends a U_ATTACH TSDU with the cause « communication change » and enters the IDLE state.</p>
------------------------	---

#### 6.5.3.5 Address Forwarding

TP/APPLI/MM/BV/AF-01	<p><b>Reference:</b> PAS 0001-3-1 [1], subclauses 5.8.6.1  <b>Condition:</b> IUT supports forwarding  <b>Initial state:</b> IUT registered and in IDLE state  <b>Stimulus:</b> Start forwarding</p> <p>Verify that, when the IUT initiates a Start forwarding, it sends a U_DEVIATION_SET TSDU, accepts a D_DEVIATION_ON TSDU, finally sends a U_EMPTY TSDU and enters the IDLE state.</p>
----------------------	--

TP/APPLI/MM/BV/AF-02	<p><b>Reference:</b> PAS 0001-3-1 [1], subclauses 5.8.6.2  <b>Condition:</b> IUT supports forwarding  <b>Initial state:</b> IUT registered and in IDLE state  <b>Stimulus:</b> Start forwarding</p> <p>Verify that, after initiating a Start forwarding, sending a U_DEVIATION_SET TSDU, when the IUT receives a D_REFUSAL TSDU with the cause « unknown calling party », it sends a U_EMPTY TSDU and enters the IDLE state.</p>
----------------------	--

TP/APPLI/MM/BV/AF-03	<p><b>Reference:</b> PAS 0001-3-1 [1], subclauses 5.8.6.2  <b>Condition:</b> IUT supports forwarding  <b>Initial state:</b> IUT registered and in IDLE state  <b>Stimulus:</b> Start forwarding</p> <p>Verify that, after initiating a Start forwarding, sending a U_DEVIATION_SET TSDU, when the IUT receives a D_REFUSAL TSDU with the cause « service barred calling party », it sends a U_EMPTY TSDU and enters the IDLE state.</p>
TP/APPLI/MM/BV/AF-04	<p><b>Reference:</b> PAS 0001-3-1 [1], subclauses 5.8.6.2  <b>Condition:</b> IUT supports forwarding  <b>Initial state:</b> IUT registered and in IDLE state  <b>Stimulus:</b> Start forwarding</p> <p>Verify that, after initiating a Start forwarding, sending a U_DEVIATION_SET TSDU, when the IUT receives a D_REFUSAL TSDU with the cause « host address not valid », it sends a U_EMPTY TSDU and enters the IDLE state.</p>
TP/APPLI/MM/BV/AF-05	<p><b>Reference:</b> PAS 0001-3-1 [1], subclauses 5.8.6.2  <b>Condition:</b> IUT supports forwarding  <b>Initial state:</b> IUT registered and in IDLE state  <b>Stimulus:</b> Start forwarding</p> <p>Verify that, after initiating a Start forwarding, sending a U_DEVIATION_SET TSDU, when the IUT receives a D_REFUSAL TSDU with the cause « Already forwarded », it sends a U_EMPTY TSDU and enters the IDLE state.</p>
TP/APPLI/MM/BV/AF-06	<p><b>Reference:</b> PAS 0001-3-1 [1], subclauses 5.8.7.1  <b>Condition:</b> IUT supports forwarding  <b>Initial state:</b> IUT registered and in IDLE state  <b>Stimulus:</b> Stop forwarding</p> <p>Verify that, when the IUT initiates a Stop forwarding, it sends a U_DEVIATION_CLEAR TSDU, accepts a D_END TSDU, finally sends a U_EMPTY TSDU and enters the IDLE state.</p>
TP/APPLI/MM/BV/AF-07	<p><b>Reference:</b> PAS 0001-3-1 [1], subclauses 5.8.7.2  <b>Condition:</b> IUT supports forwarding  <b>Initial state:</b> IUT registered and in IDLE state  <b>Stimulus:</b> Stop forwarding</p> <p>Verify that, when the IUT initiates a Stop forwarding, it sends a U_DEVIATION_CLEAR TSDU, accepts a D_REFUSAL TSDU with the cause « unknown calling party », finally sends a U_EMPTY TSDU and enters the IDLE state.</p>

## 6.5.3.6 Preliminary Paging

TP/APPLI/MM/BV/PP-01	<p><b>Reference:</b> PAS 0001-3-1 [1], subclauses 5.2.4.2.1  <b>Condition:</b> IUT supports preliminary paging for incoming private call.  <b>Initial state:</b> IUT registered and in IDLE state  <b>Stimulus:</b> Paging for an incoming private call.</p> <p>Verify that, when the IUT receives a D_CALL_WAITING TSDU if the user accepts it, the IUT sends a U_CALL_ACCEPTED TSDU, accepts a D_CALL_SETUP TSDU, sends a U_ACK TSDU, then the IUT accepts the call, sends a U_CALL_ANSWER TSDU, accepts a D_CALL_CONNECT TSDU, sends a U_CALL_CONNECT TSDU, finally accepts a D_CALL_START TSDU and enters the CONVERSATION state. .</p>
TP/APPLI/MM/BV/PP-02	<p><b>Reference:</b> PAS 0001-3-1 [1], subclauses 5.2.4.2.2  <b>Condition:</b> IUT supports preliminary paging for incoming private call.  <b>Initial state:</b> IUT registered and in IDLE state  <b>Stimulus:</b> Paging for an incoming private call.</p> <p>Verify that, when the IUT accepts a D_CALL_WAITING TSDU, if the user rejects it, the IUT sends a U_CALL_REJECTED TSDU and enters the IDLE state.</p>
TP/APPLI/MM/BV/PP-03	<p><b>Reference:</b> PAS 0001-3-1 [1], subclauses 5.2.4.2.1  <b>Condition:</b> IUT supports preliminary paging for incoming data call.  <b>Initial state:</b> IUT registered and in IDLE state  <b>Stimulus:</b> Paging for an incoming data call.</p> <p>Verify that, when the IUT accepts a D_CALL_WAITING TSDU, it sends a U_CALL_ACCEPTED TSDU, accepts a D_DATA_REQUEST TSDU, sends a U_DATA_DOWN_ACCEPT TSDU, accepts a D_CONNECT_DCH TSDU and a D_DCH_OPEN TSDU, sends a U_ACK TSDU, accepts two D_DATA_MSG_DOWN TSDU, finally accepts a D_DATA_END TSDU with the cause «preemption» and enters the IDLE state.</p>
TP/APPLI/MM/BV/PP-04	<p><b>Reference:</b> PAS 0001-3-1 [1], subclauses 5.2.4.2.2  <b>Condition:</b> IUT supports preliminary paging for incoming data call.  <b>Initial state:</b> IUT registered and in IDLE state  <b>Stimulus:</b> Paging for an incoming data call.</p> <p>Verify that, when the IUT accepts a D_CALL_WAITING TSDU, it sends a U_CALL_REJECTED TSDU and enters the IDLE state.</p>

## 6.5.3.7 Information Delivery

TP/APPLI/MM/BV/ID-01	<p><b>Reference:</b> PAS 0001-3-1 [1], subclauses 5.10.2  <b>Condition:</b> IUT supports local OG Delivery  <b>Initial state:</b> IUT registered and in IDLE state  <b>Stimulus:</b> Information Delivery</p> <p>Verify that, when the IUT accepts a D_INFORMATION_DELIVERY TSDU with a local OG, it sends a U_ACK TSDU, finally accepts a D_EMPTY TSDU and enters the IDLE state.</p>
TP/APPLI/MM/BV/ID-02	<p><b>Reference:</b> PAS 0001-3-1 [1], subclauses 5.10.2  <b>Condition:</b> IUT supports local tkg Delivery  <b>Initial state:</b> IUT registered and in IDLE state  <b>Stimulus:</b> Information Delivery</p> <p>Verify that, when the IUT accepts a D_INFORMATION_DELIVERY TSDU with a local tkg, it sends a U_ACK TSDU, finally accepts a D_EMPTY TSDU and enters the IDLE state.</p>
TP/APPLI/MM/BV/ID-03	<p><b>Reference:</b> PAS 0001-3-1 [1], subclauses 5.10.2  <b>Condition:</b> IUT supports network OG Delivery  <b>Initial state:</b> IUT registered and in IDLE state  <b>Stimulus:</b> Information Delivery</p> <p>Verify that, when the IUT accepts a D_INFORMATION_DELIVERY TSDU with a network OG, it sends a U_ACK TSDU, finally accepts a D_EMPTY TSDU and enters the IDLE state.</p>
TP/APPLI/MM/BV/ID-04	<p><b>Reference:</b> PAS 0001-3-1 [1], subclauses 5.10.2  <b>Condition:</b> IUT supports network tkg Delivery  <b>Initial state:</b> IUT registered and in IDLE state  <b>Stimulus:</b> Information Delivery</p> <p>Verify that, when the IUT accepts a D_INFORMATION_DELIVERY TSDU with a network tkg, it sends a U_ACK TSDU, finally accepts a D_EMPTY TSDU and enters the IDLE state.</p>

#### 6.5.4 Timer Tests

TP/APPLI/MM/TI-01	<p><b>Reference:</b> PAS 0001-3-1 [1], subclauses 4.3.4.2, 5.10.2 <b>Condition:</b> IUT supports Information Delivery <b>Initial state:</b> IUT registered and in IDLE state <b>Stimulus:</b> Information Delivery</p> <p>Verify that, when the IUT accepts a D_INFORMATION_DELIVERY TSDU, it sets a timer T504, sends a U_ACK TSDU. When T504 expires, the IUT sends a U_EMPTY TSDU and enters the IDLE state.</p>
-------------------	---

## 7. History

<b>Document history</b>		
<b>Date</b>	<b>Status</b>	<b>Comment</b>
March 1998	Creation with test suite structure	Version 0.0.1
18 May 1998	Update with Group Communication test purposes	Version 0.0.2
6 July 1998	Update with Emergency and Private Call test purposes	Version 0.0.3
27 August 1998	Update with Data test purposes	Version 0.0.4
26 October 1998	Update with Mobility Management Tests	Version 0.0.5
15 December 1998	Update after internal review	Version 0.1.0
21 December 1998	Editorial corrections	Version 0.1.1